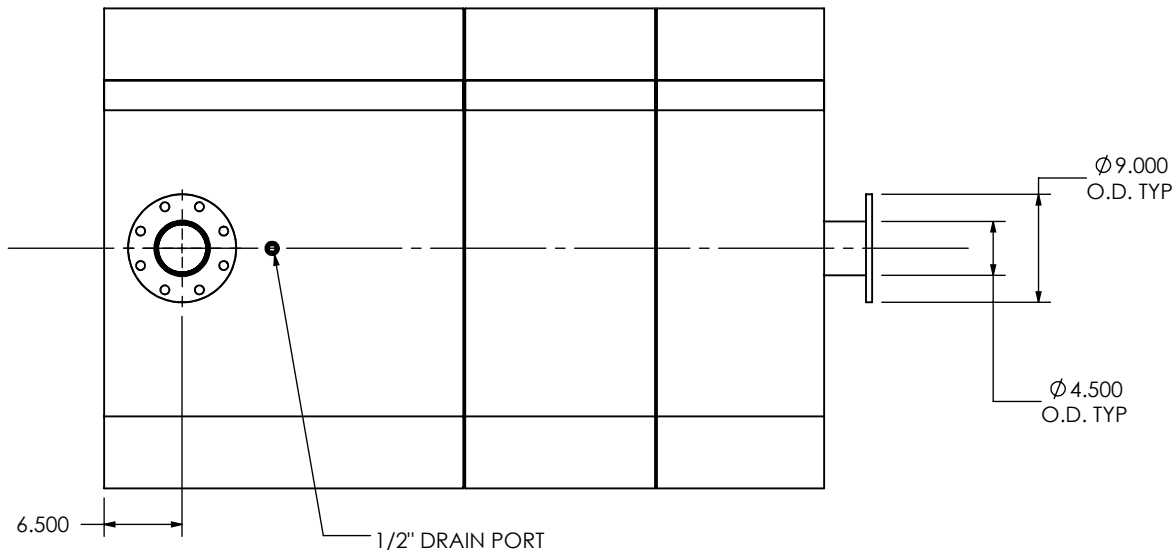
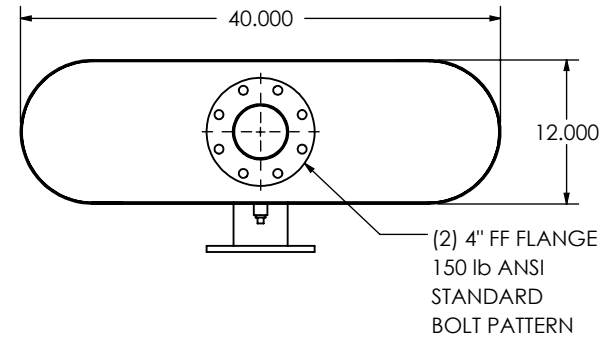


EXHAUST FLOW



NOTES:

- DO NOT USE EQUIPMENT TO SUPPORT OTHER PARTS OF THE EXHAUST SYSTEM WITHOUT PROPER REINFORCEMENT

MATERIAL CONSTRUCTION:

- CARBON STEEL

PAINT:

- HIGH TEMPERATURE BLACK (MIRATECH COATING SYSTEM 5)

| |
|-----------------|
| PROJECT NAME |
| PROPOSAL NUMBER |
| SALES ORDER NO. |
| CUSTOMER P.O. |

PROPRIETARY AND CONFIDENTIAL

THE INFORMATION CONTAINED IN THIS DRAWING IS THE SOLE PROPERTY OF MIRATECH GROUP, LLC. ANY REPRODUCTION IN PART OR AS A WHOLE WITHOUT THE WRITTEN PERMISSION OF MIRATECH GROUP, LLC IS PROHIBITED.

DIMENSIONS ARE IN INCHES UNLESS OTHERWISE SPECIFIED

| | |
|---|-----------------|
| DIMENSIONAL TOLERANCES UNLESS OTHERWISE SPECIFIED | |
| ANGLES | |
| MACH: ±1° | INCHES: ±0.125 |
| BEND: ±3° | MILLIMETERS: ±2 |

DO NOT SCALE DRAWING

| | |
|-------------|------------|
| DRAWN | DATE |
| FES | 9/16/2016 |
| REVIEWED BY | DATE |
| AJM | 09/31/2016 |

| | | | |
|---|---|-------------------------|----------------|
| | | | |
| OXBE2-04PF-2-000001V Sales Drawing | | | |
| DRAWING | | OXBE2-04PF-2-000001V SD | |
| REV | 0 | SCALE 1:16 | WEIGHT: 465 lb |
| | | SHEET 1 OF 1 | |