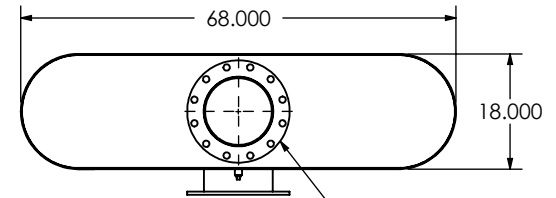
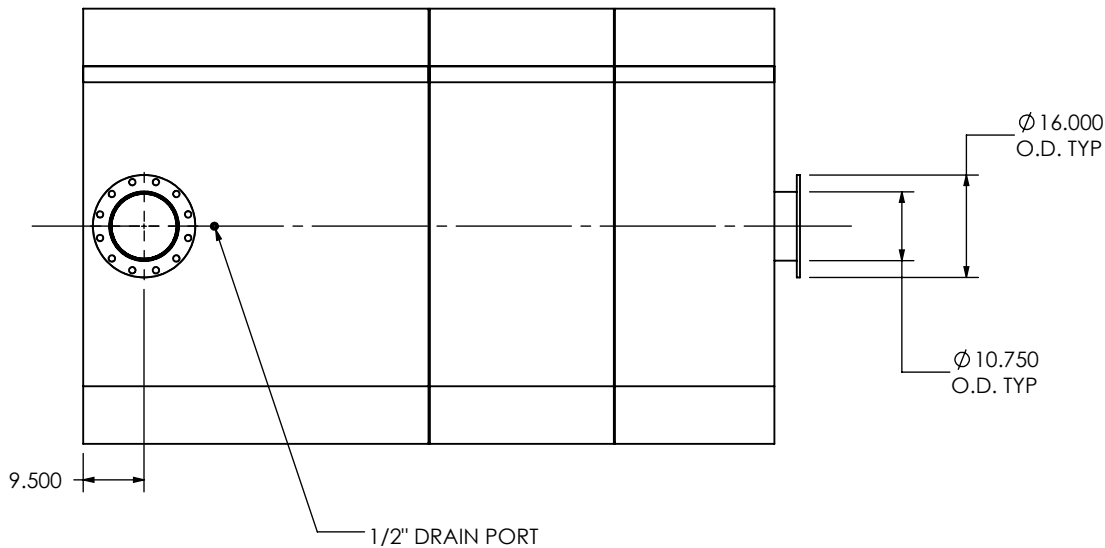


EXHAUST FLOW →



(2) 10" FF FLANGE  
150 lb ANSI  
STANDARD  
BOLT PATTERN



**NOTES:**

- DO NOT USE EQUIPMENT TO SUPPORT OTHER PARTS OF THE EXHAUST SYSTEM WITHOUT PROPER REINFORCEMENT

**MATERIAL CONSTRUCTION:**



- 304 STAINLESS STEEL

**PAINT:**

- NONE

PROJECT NAME	<b>PROPRIETARY AND CONFIDENTIAL</b>  THE INFORMATION CONTAINED IN THIS DRAWING IS THE SOLE PROPERTY OF MIRATECH GROUP, LLC. ANY REPRODUCTION IN PART OR AS A WHOLE WITHOUT THE WRITTEN PERMISSION OF MIRATECH GROUP, LLC IS PROHIBITED.
PROPOSAL NUMBER	
SALES ORDER NO.	
CUSTOMER P.O.	

DIMENSIONS ARE IN INCHES UNLESS OTHERWISE SPECIFIED	
DIMENSIONAL TOLERANCES UNLESS OTHERWISE SPECIFIED	
ANGLES	
MACH: ±1°	INCHES: ±0.125
BEND: ±3°	MILLIMETERS: ±2
DO NOT SCALE DRAWING	
DRAWN	DATE
FES	9/16/2016
REVIEWED BY	DATE
AJM	09/31/2016

 	
<b>OXBE2-10PF-3-0000002Q</b> <b>Sales Drawing</b>	
DRAWING	
OXBE2-10PF-3-0000002Q SD	
REV	0
SIZE	A
SCALE	1:30
WEIGHT	1594 lb
SHEET 1 OF 1	