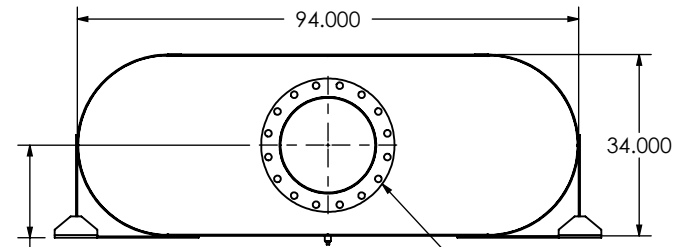
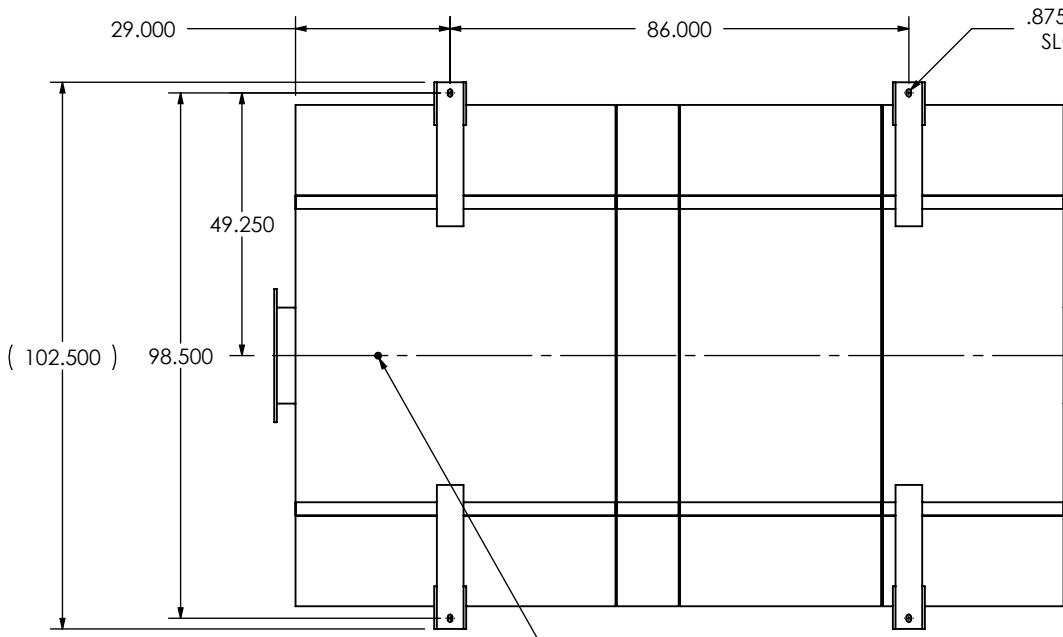


EXHAUST FLOW



17.375 TYP

(2) 18" FF FLANGE
150 lb ANSI
STANDARD
BOLT PATTERN



.875 X 1.375
SLOT TYP

Ø 25.000
O.D. TYP

Ø 18.000
O.D. TYP

1/2" DRAIN PORT

NOTES:

- DO NOT USE EQUIPMENT TO SUPPORT OTHER PARTS OF THE EXHAUST SYSTEM WITHOUT PROPER REINFORCEMENT

MATERIAL CONSTRUCTION:



- CARBON STEEL

PAINT:

- HIGH TEMPERATURE BLACK (MIRATECH COATING SYSTEM 5)

PROJECT NAME	<p>PROPRIETARY AND CONFIDENTIAL</p> <p>THE INFORMATION CONTAINED IN THIS DRAWING IS THE SOLE PROPERTY OF MIRATECH GROUP, LLC. ANY REPRODUCTION IN PART OR AS A WHOLE WITHOUT THE WRITTEN PERMISSION OF MIRATECH GROUP, LLC IS PROHIBITED.</p>
PROPOSAL NUMBER	
SALES ORDER NO.	
CUSTOMER P.O.	

DIMENSIONS ARE IN INCHES UNLESS OTHERWISE SPECIFIED	
DIMENSIONAL TOLERANCES UNLESS OTHERWISE SPECIFIED	
ANGLES	
MACH: ±1°	INCHES: ±0.125
BEND: ±3°	MILLIMETERS: ±2
DO NOT SCALE DRAWING	
DRAWN	DATE
FES	9/16/2016
REVIEWED BY	DATE
AJM	09/30/2016

 	
<p>OXEE2B-18PF-2-00000000 Sales Drawing</p>	
DRAWING	
OXEE2B-18PF-2-00000000 SD	
REV	0
SIZE	A
SCALE	1:36
WEIGHT	3774 lb
SHEET 1 OF 1	