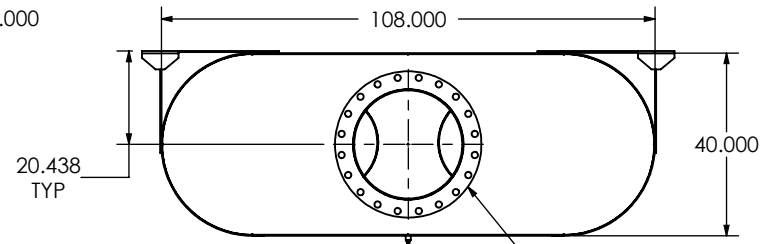
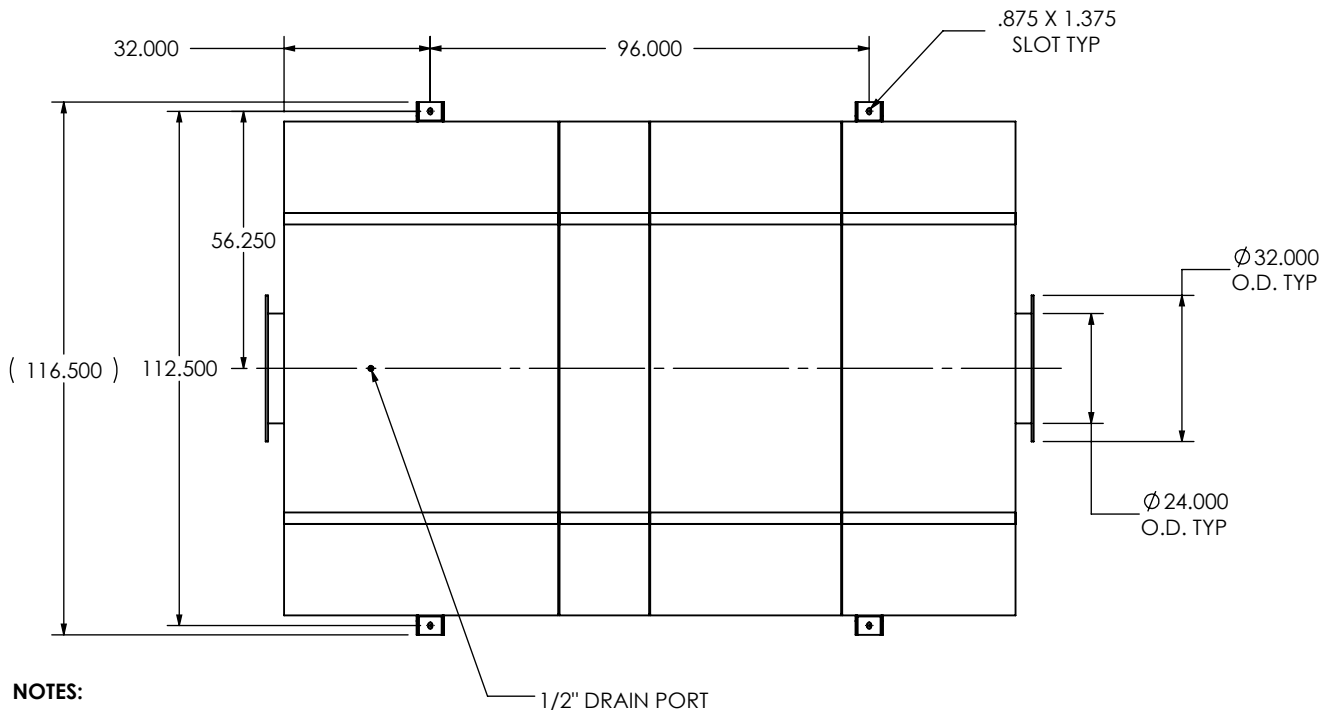


EXHAUST FLOW



(2) 24" FF FLANGE
150 lb ANSI
STANDARD
BOLT PATTERN



NOTES:

- DO NOT USE EQUIPMENT TO SUPPORT OTHER PARTS OF THE EXHAUST SYSTEM WITHOUT PROPER REINFORCEMENT

MATERIAL CONSTRUCTION:

- CARBON STEEL

PAINT:

- HIGH TEMPERATURE BLACK (MIRATECH COATING SYSTEM 5)

PROJECT NAME	
PROPOSAL NUMBER	
SALES ORDER NO.	
CUSTOMER P.O.	

PROPRIETARY AND CONFIDENTIAL

THE INFORMATION CONTAINED IN THIS DRAWING IS THE SOLE PROPERTY OF MIRATECH GROUP, LLC. ANY REPRODUCTION IN PART OR AS A WHOLE WITHOUT THE WRITTEN PERMISSION OF MIRATECH GROUP, LLC IS PROHIBITED.

DIMENSIONS ARE IN INCHES UNLESS OTHERWISE SPECIFIED

DIMENSIONAL TOLERANCES UNLESS OTHERWISE SPECIFIED	
ANGLES	±0.125
MACH: ±1*	INCHES: ±0.125
BEND: ±3*	MILLIMETERS: ±2

DO NOT SCALE DRAWING

DRAWN	DATE
FES	9/16/2016
REVIEWED BY	DATE
AJM	09/30/2016

<p>OXEE2T-24PF-2-00000000 Sales Drawing</p>			
DRAWING		OXEE2T-24PF-2-00000000 SD	
REV	0	SCALE	1:42
SIZE	A	WEIGHT	6188 lb
		SHEET 1 OF 1	