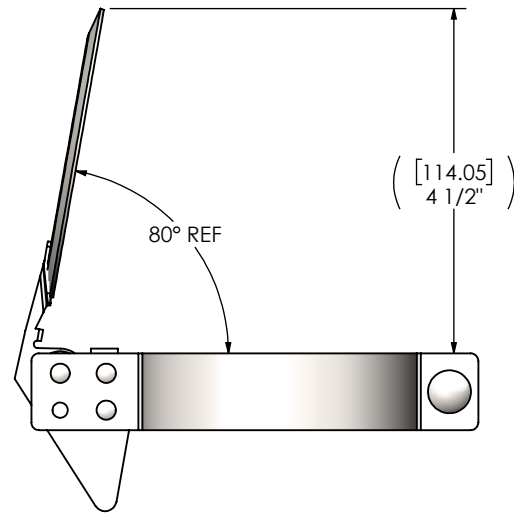
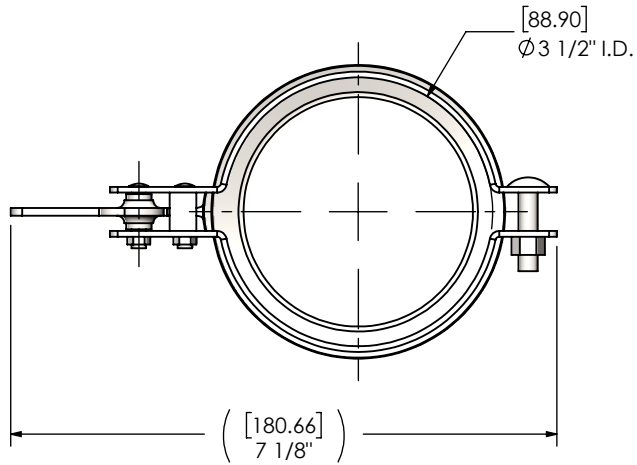


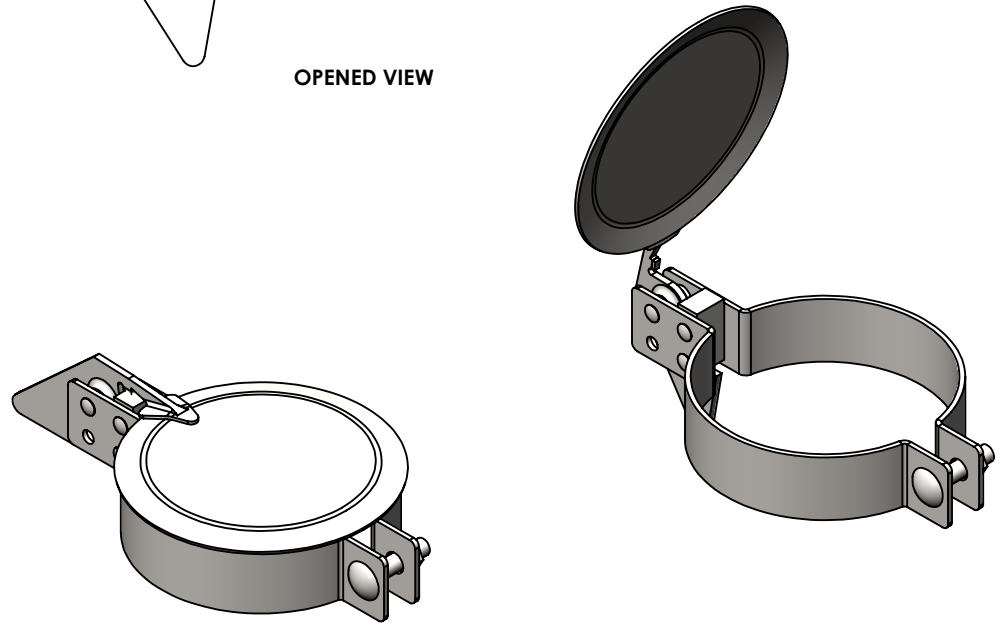
FRONT VIEW



OPENED VIEW



BOTTOM VIEW



NOTES:



- STACK SHOULD EXTEND ABOVE CLAMP APPROXIMATELY 0.25" WHEN PROPERLY INSTALLED

MATERIAL CONSTRUCTION:

- 304 STAINLESS STEEL

PAINT:

- NONE (MIRATECH COATING SYSTEM 4)

PROJECT NAME	PROPRIETARY AND CONFIDENTIAL THE INFORMATION CONTAINED IN THIS DRAWING IS THE SOLE PROPERTY OF MIRATECH GROUP, LLC. ANY REPRODUCTION IN PART OR AS A WHOLE WITHOUT THE WRITTEN PERMISSION OF MIRATECH GROUP, LLC IS PROHIBITED.	DIMENSIONS ARE APPROXIMATE IN INCHES UNLESS OTHERWISE SPECIFIED		 			
PROPOSAL NUMBER		<small>DIMENSIONAL TOLERANCES UNLESS OTHERWISE SPECIFIED</small> ANGLES MACH: ±2" INCHES: ±1/8 BEND: ±3" MILLIMETERS: ±5					
SALES ORDER NO.		DO NOT SCALE DRAWING		RC-0350-3 Sales Drawing			
CUSTOMER P.O.		DRAWN TES	DATE 03/19/2019				DRAWING RC-0350-3 SD
		REVIEWED BY SSC	DATE 03/19/2019	SIZE A	SCALE 1:2	WEIGHT: 1 lb	SHEET 1 OF 1