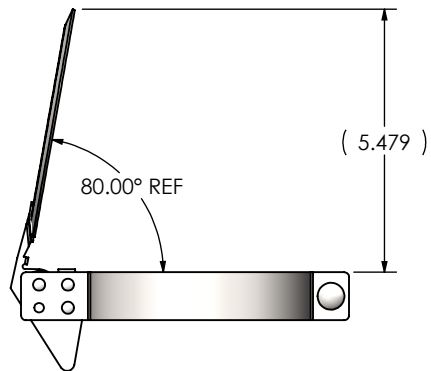
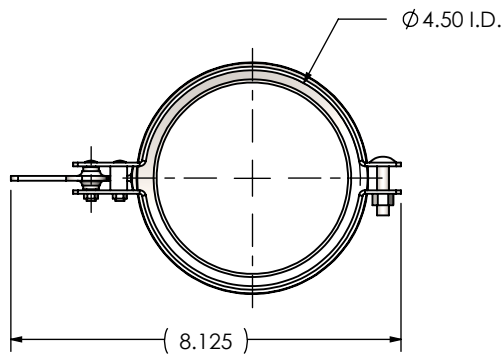


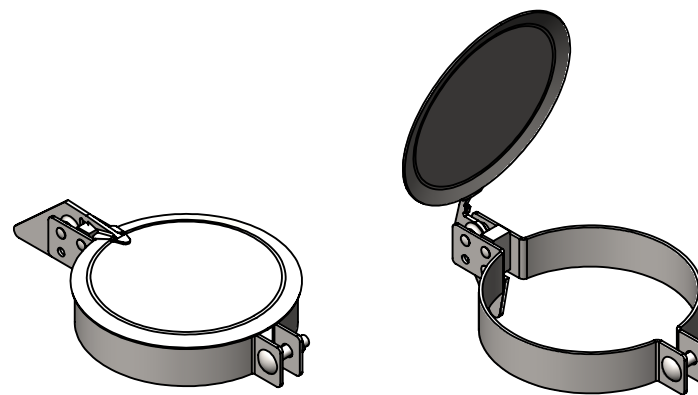
FRONT VIEW



OPENED VIEW



BOTTOM VIEW



NOTES:



- DO NOT USE EQUIPMENT TO SUPPORT OTHER PARTS OF THE EXHAUST SYSTEM WITHOUT PROPER REINFORCEMENT

MATERIAL CONSTRUCTION:

- 304 STAINLESS STEEL

PAINT:

- NONE

PROJECT NAME	<p>PROPRIETARY AND CONFIDENTIAL</p> <p>THE INFORMATION CONTAINED IN THIS DRAWING IS THE SOLE PROPERTY OF MIRATECH GROUP, LLC. ANY REPRODUCTION IN PART OR AS A WHOLE WITHOUT THE WRITTEN PERMISSION OF MIRATECH GROUP, LLC IS PROHIBITED.</p>	<p>DIMENSIONS ARE IN INCHES UNLESS OTHERWISE SPECIFIED</p>		 	
PROPOSAL NUMBER		<p>ANGLES</p> <p>MACH: ±1° INCHES: ±0.125</p> <p>BEND: ±3° MILLIMETERS: ±2</p>		<p>RC-0450-3 Sales Drawing</p>	
SALES ORDER NO.		<p>DO NOT SCALE DRAWING</p>			
CUSTOMER P.O.		<p>DRAWN</p> <p>SSC</p>	<p>DATE</p> <p>4/27/2018</p>	<p>DRAWING</p> <p>RC-0450-3 SD</p>	<p>REV</p> <p>0</p>
		<p>REVIEWED BY</p> <p>CAC</p>	<p>DATE</p> <p>4/27/2018</p>	<p>SIZE</p> <p>A</p>	<p>SCALE 1:4</p> <p>WEIGHT: 1 lb</p> <p>SHEET 1 OF 1</p>