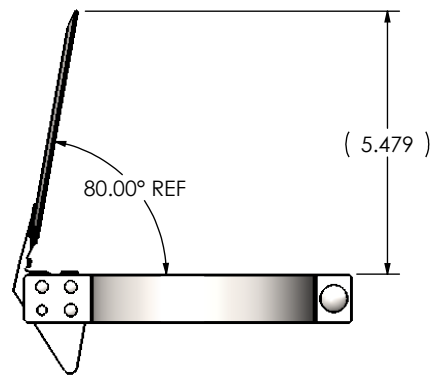
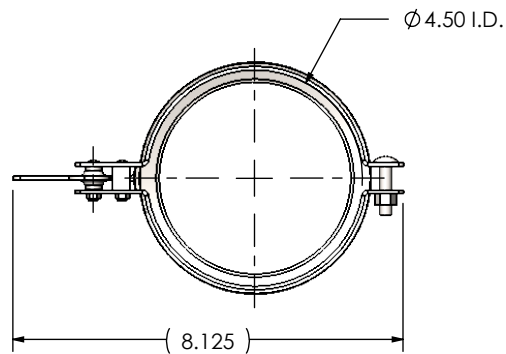


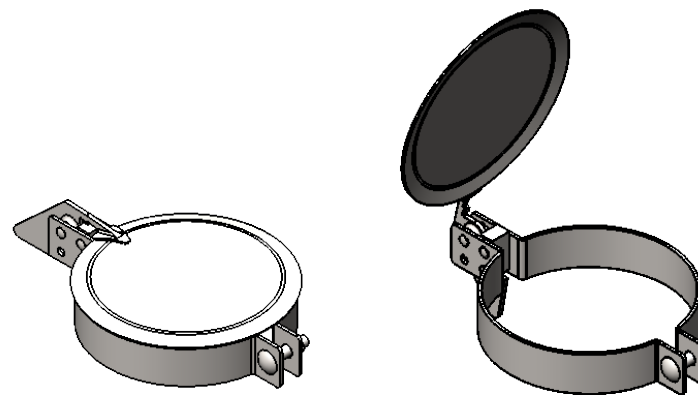
FRONT VIEW



OPENED VIEW



BOTTOM VIEW



NOTES:

- DO NOT USE EQUIPMENT TO SUPPORT OTHER PARTS OF THE EXHAUST SYSTEM WITHOUT PROPER REINFORCEMENT

MATERIAL CONSTRUCTION:

- CARBON STEEL

PAINT:

- HIGH TEMPERATURE BLACK (MIRATECH COATING SYSTEM 5)

| | |
|-----------------|--|
| PROJECT NAME | <p>PROPRIETARY AND CONFIDENTIAL</p> <p>THE INFORMATION CONTAINED IN THIS DRAWING IS THE SOLE PROPERTY OF MIRATECH GROUP, LLC. ANY REPRODUCTION IN PART OR AS A WHOLE WITHOUT THE WRITTEN PERMISSION OF MIRATECH GROUP, LLC IS PROHIBITED.</p> |
| PROPOSAL NUMBER | |
| SALES ORDER NO. | |
| CUSTOMER P.O. | |

| | |
|--|------------|
| <p>DIMENSIONS ARE IN INCHES UNLESS OTHERWISE SPECIFIED</p> <p>ANGLES</p> <p>MACH: ±1° INCHES: ±0.125 BEND: ±3° MILLIMETERS: ±2</p> | |
| <p>DO NOT SCALE DRAWING</p> | |
| DRAWN | DATE |
| SSC | 12/29/2017 |
| REVIEWED BY | DATE |
| CAC | 12/29/2017 |

| | |
|-----------------------------|------------|
| <p>DO NOT SCALE DRAWING</p> | |
| DRAWN | DATE |
| SSC | 12/29/2017 |
| REVIEWED BY | DATE |
| CAC | 12/29/2017 |

| | | | |
|--|---|--------------|--------------|
| | | | |
| <p>RC-0450 Sales Drawing</p> | | | |
| DRAWING | | RC-0450 SD | |
| REV | 0 | SCALE 1:4 | WEIGHT: 1 lb |
| | | SHEET 1 OF 1 | |