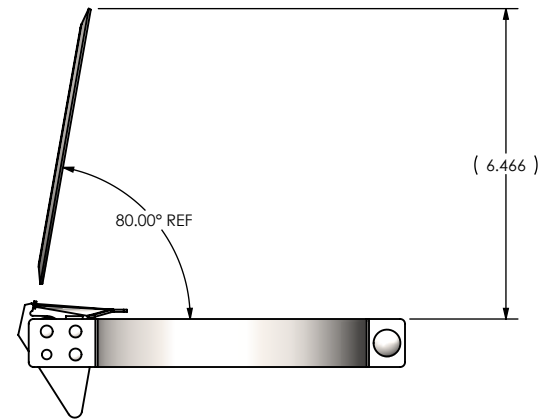
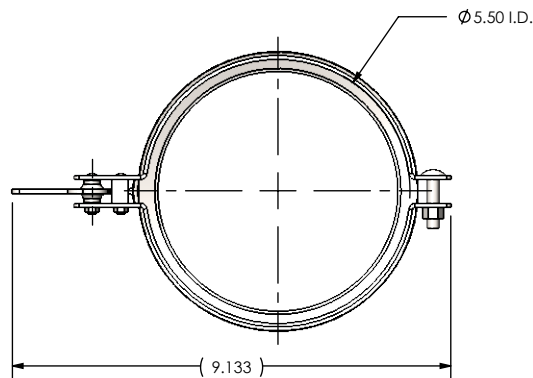


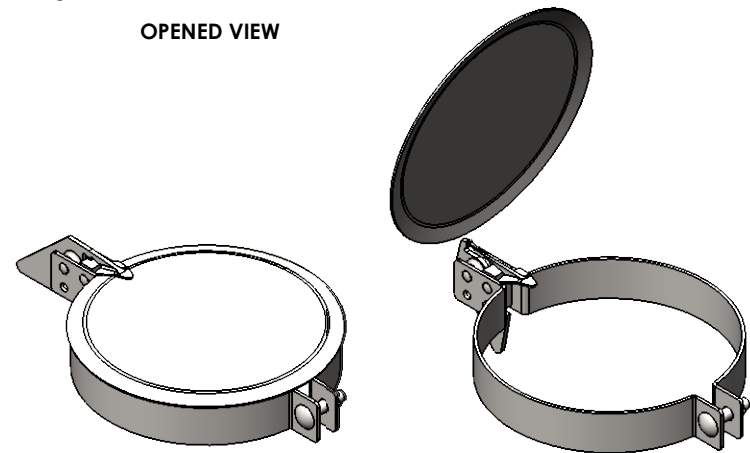
FRONT VIEW



OPENED VIEW



BOTTOM VIEW



MATERIAL CONSTRUCTION:

- CARBON STEEL

PAINT:

- HIGH TEMPERATURE BLACK

PROJECT NAME	PROPRIETARY AND CONFIDENTIAL THE INFORMATION CONTAINED IN THIS DRAWING IS THE SOLE PROPERTY OF MIRATECH GROUP, LLC. ANY REPRODUCTION IN PART OR AS A WHOLE WITHOUT THE WRITTEN PERMISSION OF MIRATECH GROUP, LLC IS PROHIBITED.	DIMENSIONS ARE IN INCHES UNLESS OTHERWISE SPECIFIED		DESCRIPTION RC-0550 Sales Drawing RAIN CAP: PIPE CS 5.00 Ø5.50 ID		
PROPOSAL NUMBER		DIMENSIONAL TOLERANCES UNLESS OTHERWISE SPECIFIED				
SALES ORDER NO.		ANGLES	INCHES:	MILLIMETERS:	DRAWING RC-0550 FD REV 0	
CUSTOMER P.O.		MACH: ±1° BEND: ±3°	±0.125	±2		
		DO NOT SCALE DRAWING		DRAWN	DATE	
		REVIEWED BY	DATE	SIZE	SCALE 1:4	
		CAC	09/08/2017	A	WEIGHT: 1 lb	
				SHEET 1 OF 1		

