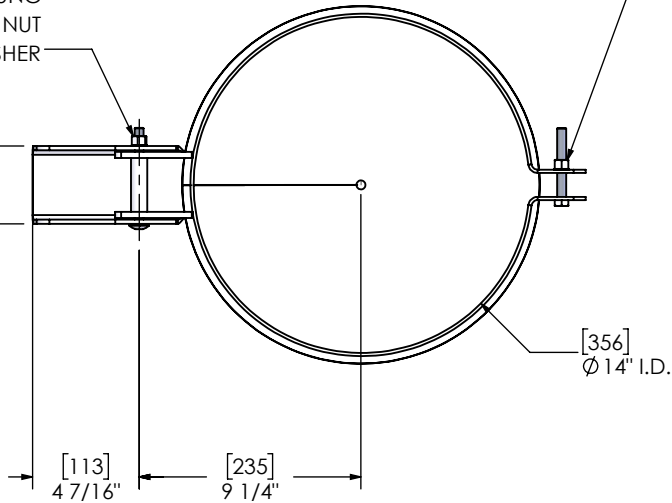
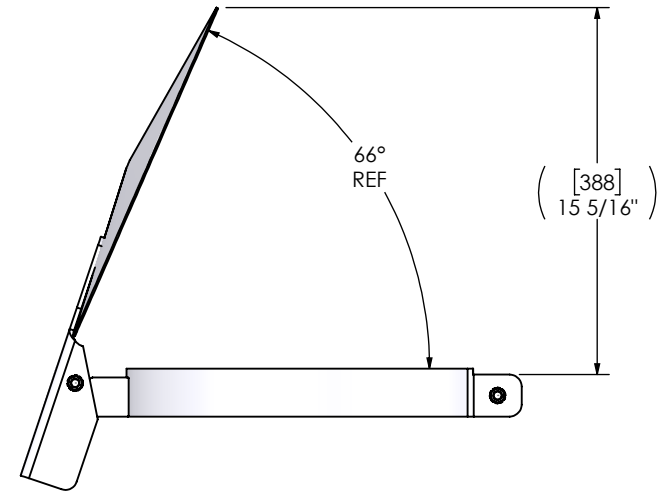


3/8-16 UNC  
LOCK NUT  
W/TOOTH WASHER

[83]  
3 1/4"



3/8-16 UNC  
LOCK NUT  
W/TOOTH WASHER



**NOTES:**

- PIPE SHOULD EXTEND ABOVE CLAMP APPROXIMATELY 1/4" WHEN PROPERLY INSTALLED

**MATERIAL CONSTRUCTION:**

- 304 STAINLESS STEEL

**PAINT:**



- NONE (MIRATECH COATING SYSTEM 4)

PROJECT NAME	
PROPOSAL NUMBER	
SALES ORDER NO.	
CUSTOMER P.O.	

**PROPRIETARY AND CONFIDENTIAL**

THE INFORMATION CONTAINED IN THIS DRAWING IS THE SOLE PROPERTY OF MIRATECH GROUP, LLC. ANY REPRODUCTION IN PART OR AS A WHOLE WITHOUT THE WRITTEN PERMISSION OF MIRATECH GROUP, LLC IS PROHIBITED.

DIMENSIONS ARE APPROXIMATE IN INCHES UNLESS OTHERWISE SPECIFIED	
DIMENSIONAL TOLERANCES UNLESS OTHERWISE SPECIFIED	
ANGLES	
MACH: ±2"	INCHES: ±0.125
BEND: ±3"	MILLIMETERS: ±5
<b>DO NOT SCALE DRAWING</b>	
DRAWN	DATE
SSC	6/7/2018
REVIEWED BY	DATE
CAC	6/7/2018

			
<p><b>RC-1400-3</b> <b>Sales Drawing</b></p>			
DRAWING		RC-1400-3 SD	
REV	0	SIZE	A
SCALE	1:8	WEIGHT	11.00 lb
SHEET 1 OF 1			