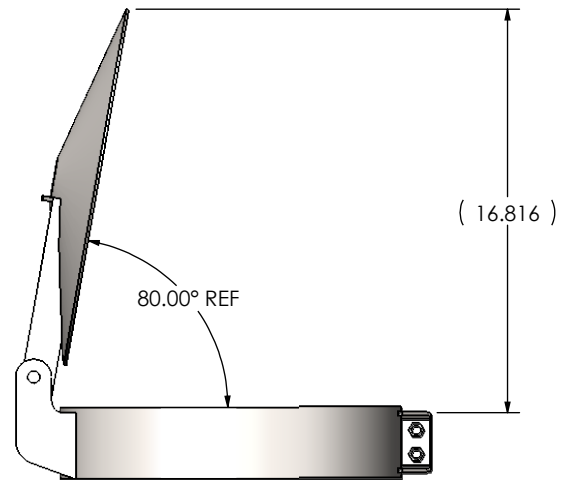
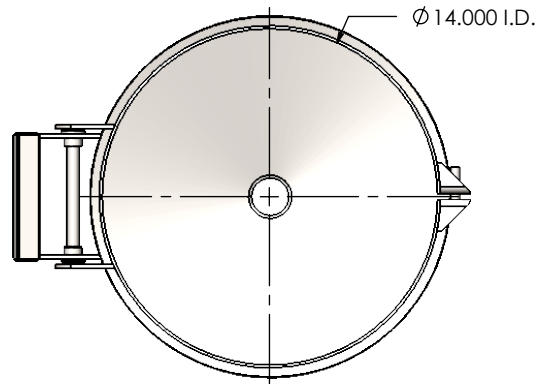


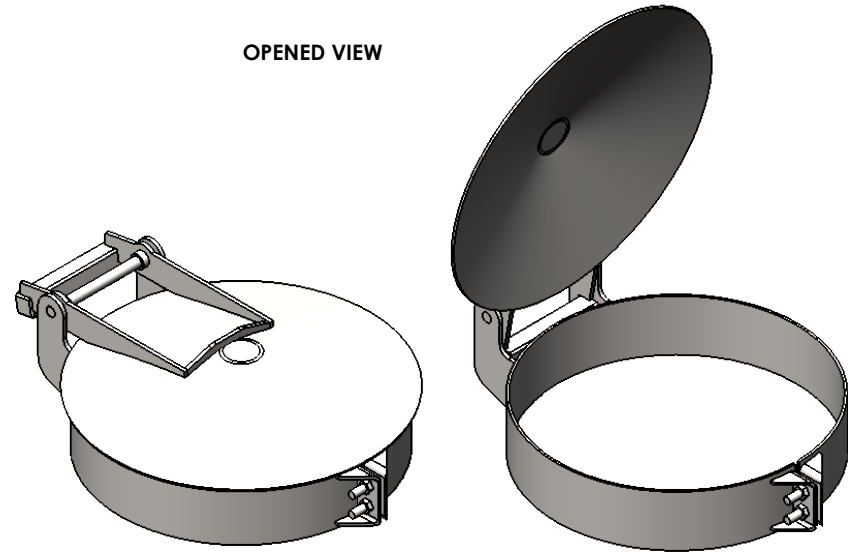
FRONT VIEW



OPENED VIEW



BOTTOM VIEW



NOTES:

- STACK SHOULD EXTEND ABOVE CLAMP APPROXIMATELY 0.25" WHEN PROPERLY INSTALLED

MATERIAL CONSTRUCTION:

- CARBON STEEL

PAINT:

- HIGH TEMPERATURE BLACK (MIRATECH COATING SYSTEM 5)

PROJECT NAME
PROPOSAL NUMBER
SALES ORDER NO.
CUSTOMER P.O.


PROPRIETARY AND CONFIDENTIAL

THE INFORMATION CONTAINED IN THIS DRAWING IS THE SOLE PROPERTY OF MIRATECH GROUP, LLC. ANY REPRODUCTION IN PART OR AS A WHOLE WITHOUT THE WRITTEN PERMISSION OF MIRATECH GROUP, LLC IS PROHIBITED.

DIMENSIONS ARE APPROXIMATE IN INCHES UNLESS OTHERWISE SPECIFIED

DO NOT SCALE DRAWING

DRAWN	SSC	DATE	4/19/2017
REVIEWED BY	JDD	DATE	4/19/2017



RCHE-1400
Sales Drawing

DRAWING		RCHE-1400 SD		REV	0
SIZE	A	SCALE	1:8	WEIGHT:	19 lb
				SHEET 1 OF 1	