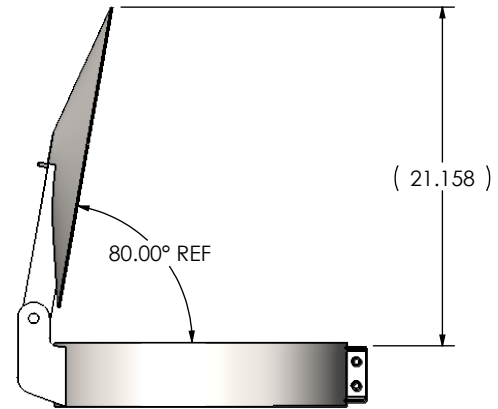
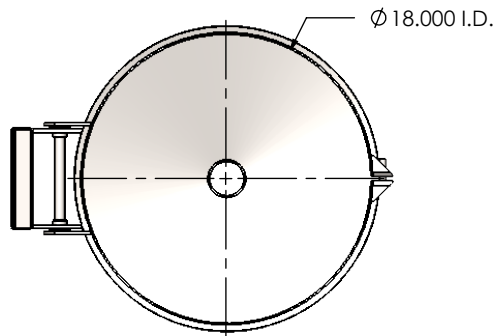


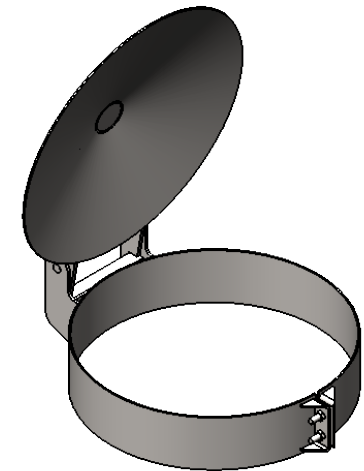
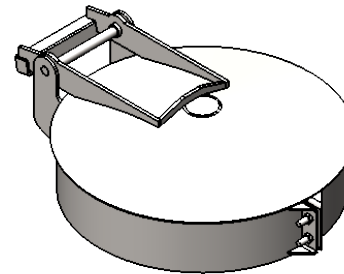
FRONT VIEW



OPENED VIEW



BOTTOM VIEW



MATERIAL CONSTRUCTION:

- CARBON STEEL

PAINT:

- HIGH TEMPERATURE BLACK (MIRATECH COATING SYSTEM 5)

PROJECT NAME
PROPOSAL NUMBER
SALES ORDER NO.
CUSTOMER P.O.


PROPRIETARY AND CONFIDENTIAL

THE INFORMATION CONTAINED IN THIS DRAWING IS THE SOLE PROPERTY OF MIRATECH GROUP, LLC. ANY REPRODUCTION IN PART OR AS A WHOLE WITHOUT THE WRITTEN PERMISSION OF MIRATECH GROUP, LLC IS PROHIBITED.

DIMENSIONS ARE APPROXIMATE IN INCHES UNLESS OTHERWISE SPECIFIED

DO NOT SCALE DRAWING

DRAWN	DATE
SSC	4/18/2017
REVIEWED BY	DATE
JDD	4/18/2017

	
<p>RCXD-1800 Sales Drawing</p>	
DRAWING	REV
RCXD-1800 SD	0
SIZE	SCALE 1:12
A	WEIGHT: 33 lb
SHEET 1 OF 1	