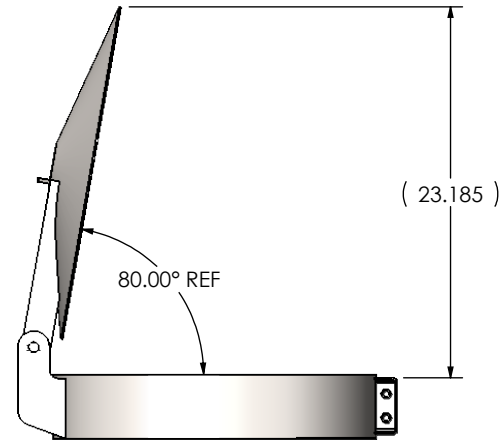
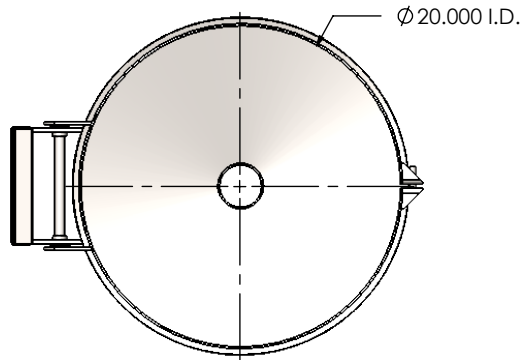


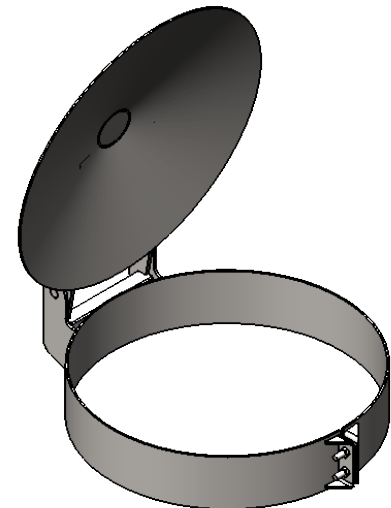
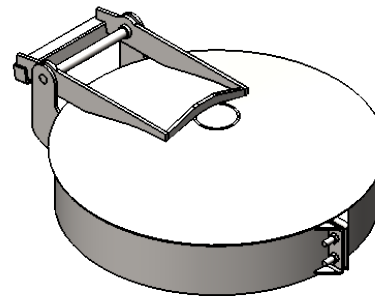
FRONT VIEW



OPENED VIEW



BOTTOM VIEW



NOTES:

- DO NOT USE EQUIPMENT TO SUPPORT OTHER PARTS OF THE EXHAUST SYSTEM WITHOUT PROPER REINFORCEMENT

MATERIAL CONSTRUCTION:

- CARBON STEEL


PAINT:

- HIGH TEMPERATURE BLACK (MIRATECH COATING SYSTEM 5)

PROJECT NAME/CUSTOMER
SALES ORDER NO.
FABRICATION P.O.

PROPRIETARY AND CONFIDENTIAL		
THE INFORMATION CONTAINED IN THIS DRAWING IS THE SOLE PROPERTY OF MIRATECH GROUP, LLC. ANY REPRODUCTION IN PART OR AS A WHOLE WITHOUT THE WRITTEN PERMISSION OF MIRATECH GROUP, LLC IS PROHIBITED.		
SCALE 1:12	WEIGHT: 40 lb	SIZE A

DIMENSIONAL TOLERANCES UNLESS OTHERWISE SPECIFIED	
ANGLES	
MACH: ±1°	INCHES: ±0.125
BEND: ±3°	MILLIMETERS: ±2
DIMENSIONS ARE APPROXIMATE IN INCHES UNLESS OTHERWISE SPECIFIED	
DO NOT SCALE DRAWING	
DRAWN	DATE
SSC	8/11/2017
ENG APPR	DATE
JDD	8/11/2017
MFG APPR	DATE

	
RCHD-2000 Sales Drawing	
ERP NUMBER	ERP QUANTITY
	REV 0
DRAWING RCHD-2000 SD	
SHEET 1 OF 1	