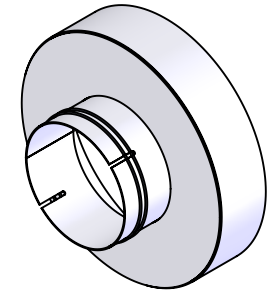
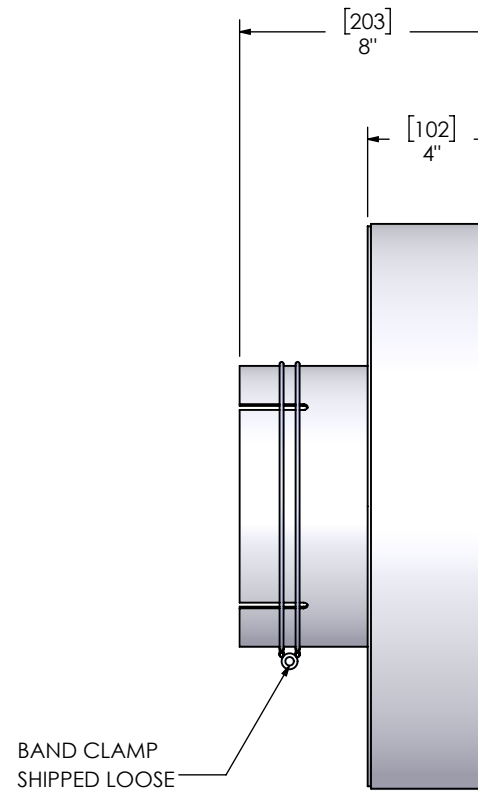
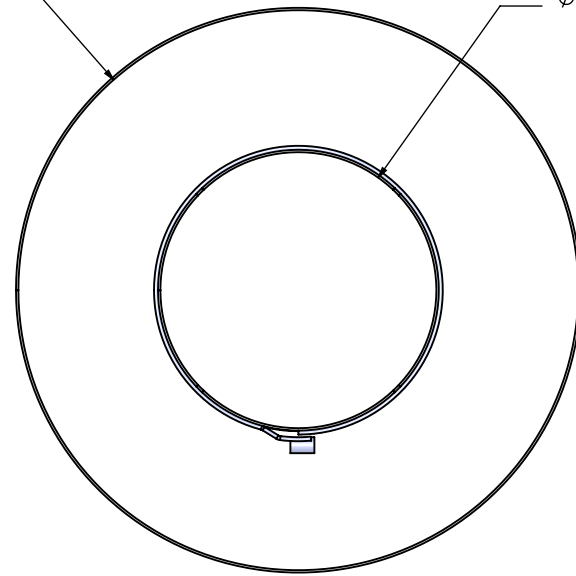


[445]
 \varnothing 17 1/2"
 NOM

[219]
 \varnothing 8 5/8"
 I.D.



BAND CLAMP
 SHIPPED LOOSE

NOTES:

- DO NOT USE EQUIPMENT TO SUPPORT OTHER PARTS OF THE EXHAUST SYSTEM WITHOUT PROPER REINFORCEMENT

MATERIAL CONSTRUCTION:

- CARBON STEEL

PAINT:



- HIGH TEMPERATURE BLACK (MIRATECH COATING SYSTEM 5)

| |
|-----------------|
| PROJECT NAME |
| PROPOSAL NUMBER |
| SALES ORDER NO. |
| CUSTOMER P.O. |

PROPRIETARY AND CONFIDENTIAL

THE INFORMATION CONTAINED IN THIS DRAWING IS THE SOLE PROPERTY OF MIRATECH GROUP, LLC. ANY REPRODUCTION IN PART OR AS A WHOLE WITHOUT THE WRITTEN PERMISSION OF MIRATECH GROUP, LLC IS PROHIBITED.

| | |
|---|----------------------|
| DIMENSIONS ARE APPROXIMATE IN INCHES UNLESS OTHERWISE SPECIFIED | |
| DIMENSIONAL TOLERANCES UNLESS OTHERWISE SPECIFIED | |
| ANGLES | |
| MACH: $\pm 2^*$ | INCHES: ± 0.125 |
| BEND: $\pm 3^*$ | MILLIMETERS: ± 3 |
| DO NOT SCALE DRAWING | |
| DRAWN | DATE |
| CSF | 11/20/2019 |
| REVIEWED BY | DATE |
| CAC | 11/20/2019 |

| | | | |
|---|-------|---|--------|
|  MIRATECH | |  | |
| RGS-0863 Sales Drawing | | | |
| DRAWING | | REV | |
| RGS-0863 SD | | 0 | |
| SIZE | SCALE | WEIGHT | SHEET |
| A | 1:4 | 13.38 lb | 1 OF 1 |