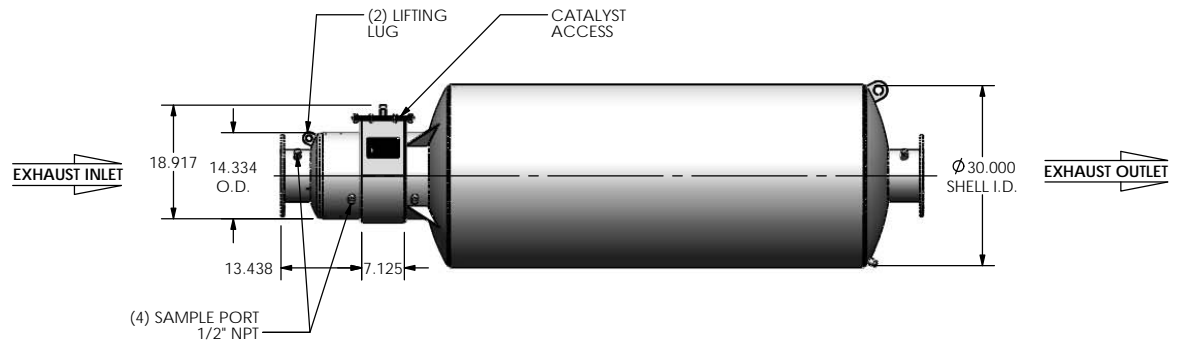
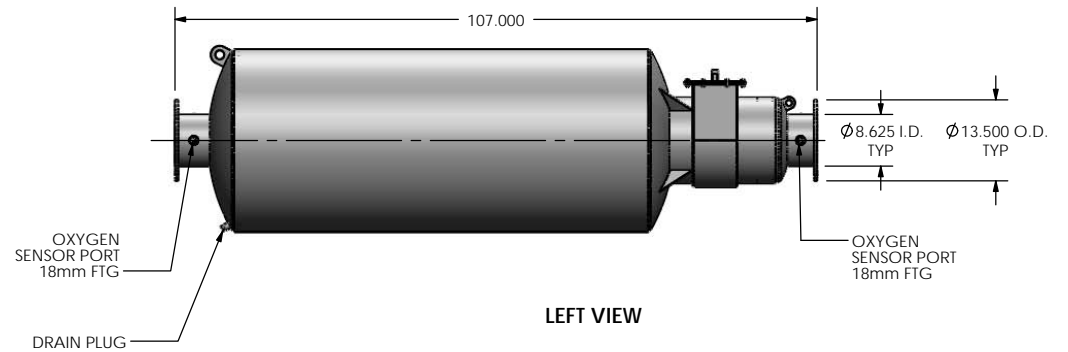
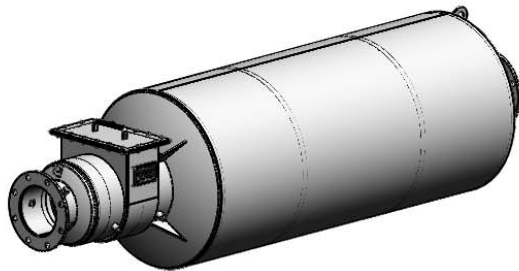


FRONT VIEW



RIGHT VIEW



LEFT VIEW

**MATERIAL CONSTRUCTION:**  
- CARBON STEEL

PROJECT NAME	<b>PROPRIETARY AND CONFIDENTIAL</b> THE INFORMATION CONTAINED IN THIS DRAWING IS THE SOLE PROPERTY OF MIRATECH CORPORATION. ANY REPRODUCTION IN PART OR AS A WHOLE WITHOUT THE WRITTEN PERMISSION OF MIRATECH CORPORATION IS PROHIBITED.	DIMENSIONS ARE APPROXIMATE IN INCHES UNLESS OTHERWISE SPECIFIED	
PROPOSAL NUMBER			
SALES ORDER NO.		DO NOT SCALE DRAWING	
CUSTOMER P.O.		DRAWN CDT DATE 12/22/2011	REVIEWED BY AJM DATE 12/27/2011



**RHS2-3016-08**  
Sales Drawing

DRAWING	RHS2-3016-08 SD	REV	0
SIZE	A	SCALE	1:16
WEIGHT	555 lb	SHEET 1 OF 1	