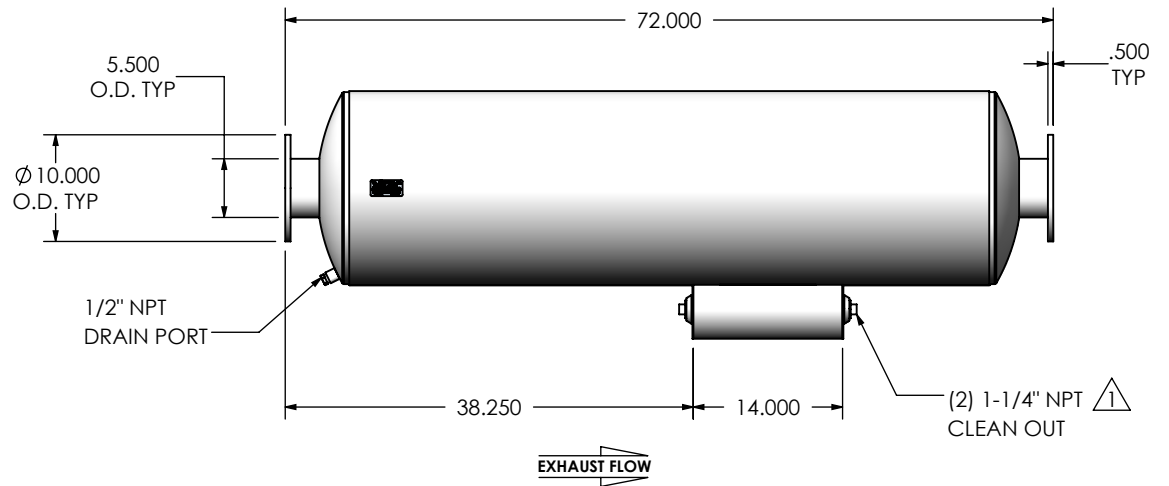
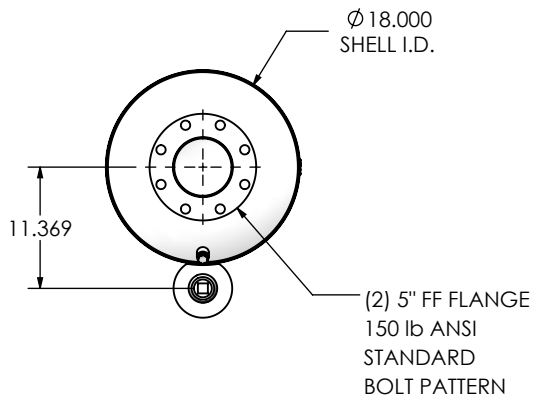
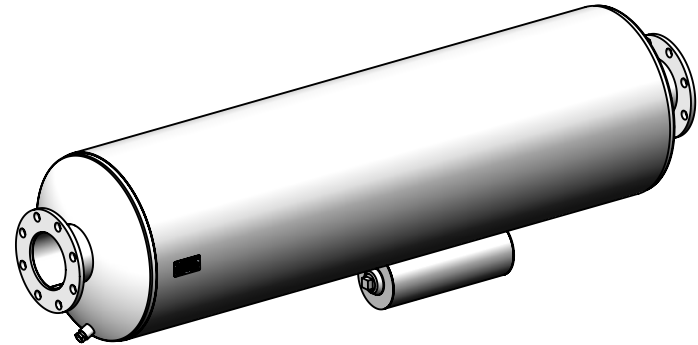


REVISIONS				
REV.	DESCRIPTION	DATE	SHEET(S)	DRAWN BY
0	INITIAL RELEASE	11/04/2016	1	FES
1	CLEAN OUT WAS 1-1/2 NPT	12/11/2017	1	FES



NOTES:

- DO NOT USE EQUIPMENT TO SUPPORT OTHER PARTS OF THE EXHAUST SYSTEM WITHOUT PROPER REINFORCEMENT

MATERIAL CONSTRUCTION:

- CARBON STEEL

PAINT:

- HIGH TEMPERATURE BLACK (MIRATECH COATING SYSTEM 5)

PROJECT NAME	<p>PROPRIETARY AND CONFIDENTIAL</p> <p>THE INFORMATION CONTAINED IN THIS DRAWING IS THE SOLE PROPERTY OF MIRATECH GROUP, LLC. ANY REPRODUCTION IN PART OR AS A WHOLE WITHOUT THE WRITTEN PERMISSION OF MIRATECH GROUP, LLC IS PROHIBITED.</p>
PROPOSAL NUMBER	
SALES ORDER NO.	
CUSTOMER P.O.	

<p>DIMENSIONS ARE IN INCHES UNLESS OTHERWISE SPECIFIED</p> <p>ANGLES: INCHES: ±0.125</p> <p>MACH: ±1" BEND: ±3" MILLIMETERS: ±2</p>	
DO NOT SCALE DRAWING	
DRAWN	DATE
FES	11/1/2016
REVIEWED BY	DATE
AJM	11/4/2016

DRAWING		REV
SUHEE0-05PF-2-00000000 SD		1
SIZE	SCALE	WEIGHT
A	1:18	163 lb

<p>SUHEE0-05PF-2-00000000</p> <p>Sales Drawing</p>			
DRAWING		REV	
SUHEE0-05PF-2-00000000 SD		1	
SIZE	SCALE	WEIGHT	SHEET
A	1:18	163 lb	1 OF 1