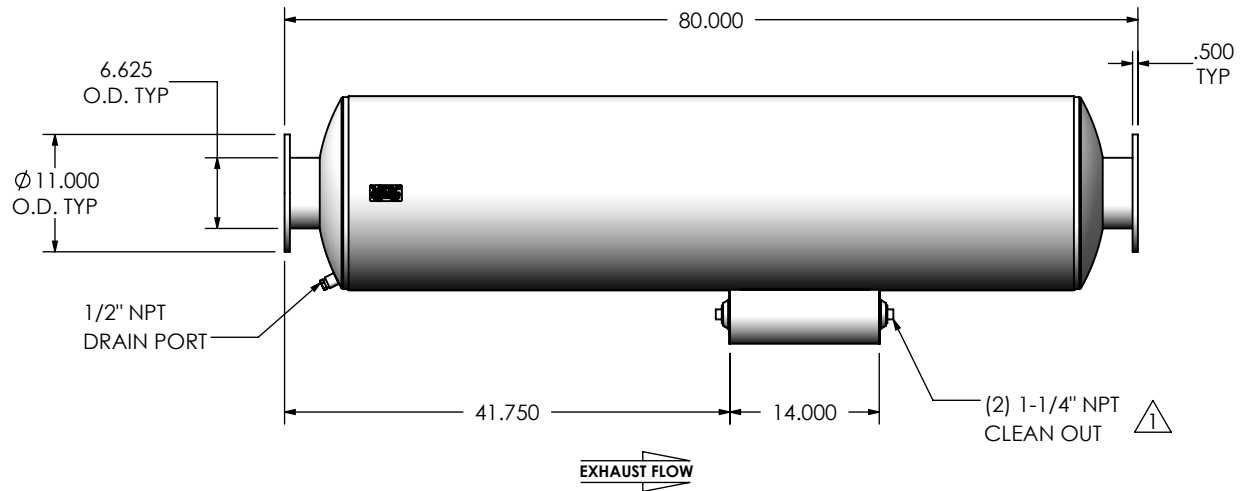
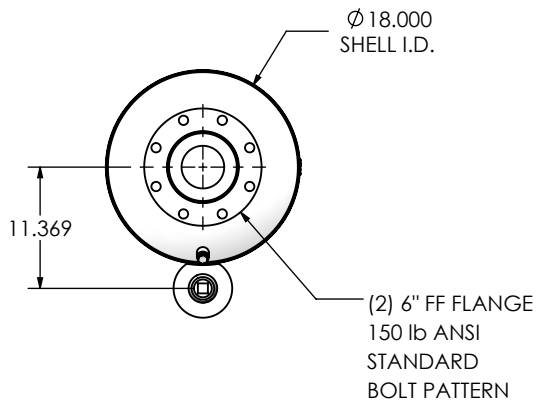
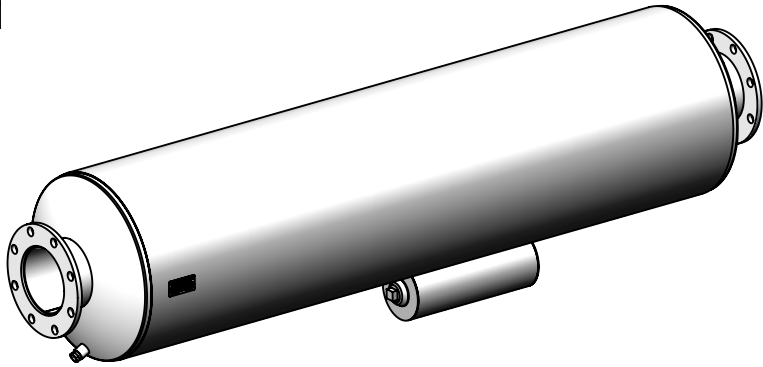


REVISIONS				
REV.	DESCRIPTION	DATE	SHEET(S)	DRAWN BY
0	INITIAL RELEASE	11/04/16	1	FES
1	CLEAN OUT WAS 1-1/2 NPT	12/11/2017	1	FES



NOTES:

- DO NOT USE EQUIPMENT TO SUPPORT OTHER PARTS OF THE EXHAUST SYSTEM WITHOUT PROPER REINFORCEMENT

MATERIAL CONSTRUCTION:

- ALUMINIZED STEEL

PAINT:

- HIGH TEMPERATURE BLACK (MIRATECH COATING SYSTEM 5)

PROJECT NAME	PROPRIETARY AND CONFIDENTIAL THE INFORMATION CONTAINED IN THIS DRAWING IS THE SOLE PROPERTY OF MIRATECH GROUP, LLC. ANY REPRODUCTION IN PART OR AS A WHOLE WITHOUT THE WRITTEN PERMISSION OF MIRATECH GROUP, LLC IS PROHIBITED.
PROPOSAL NUMBER	
SALES ORDER NO.	
CUSTOMER P.O.	

DIMENSIONS ARE IN INCHES UNLESS OTHERWISE SPECIFIED <small> DIMENSIONAL TOLERANCES UNLESS OTHERWISE SPECIFIED ANGLES: MACH: ±1° INCHES: ±0.125 BEND: ±3° MILLIMETERS: ±2 </small>	
DO NOT SCALE DRAWING	
DRAWN	DATE
FES	11/1/2016
REVIEWED BY	DATE
AJM	11/4/2016

DRAWING		REV
SUHEE0-06PF-1-00000000 SD		1
SIZE	SCALE	WEIGHT
A	1:18	187 lb

SUHEE0-06PF-1-00000000 Sales Drawing			
DRAWING		REV	
SUHEE0-06PF-1-00000000 SD		1	
SIZE	SCALE	WEIGHT	SHEET 1 OF 1
A	1:18	187 lb	