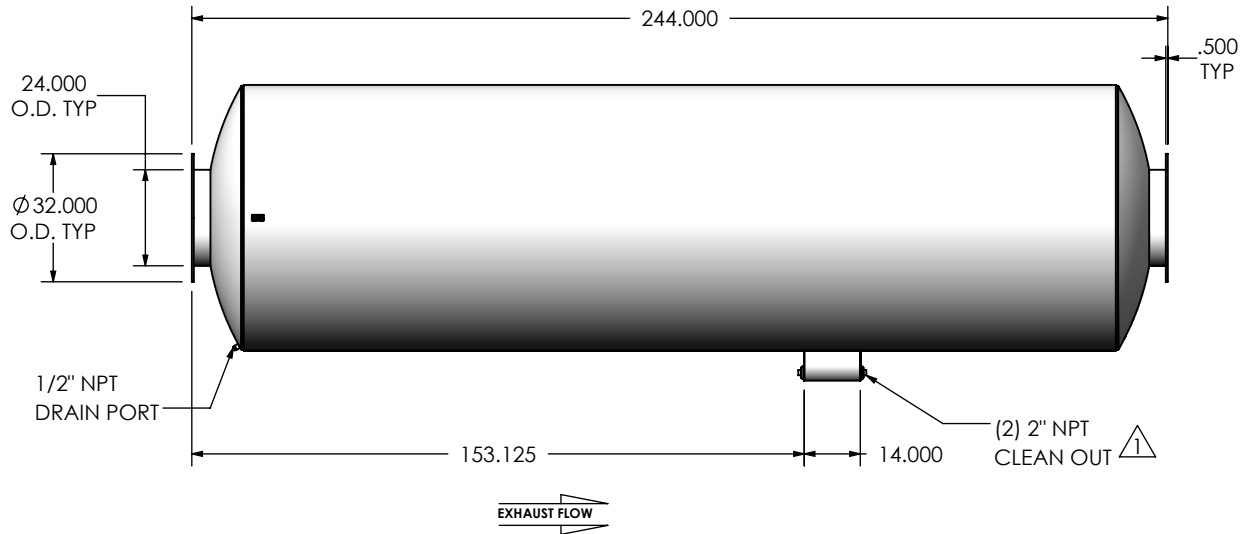
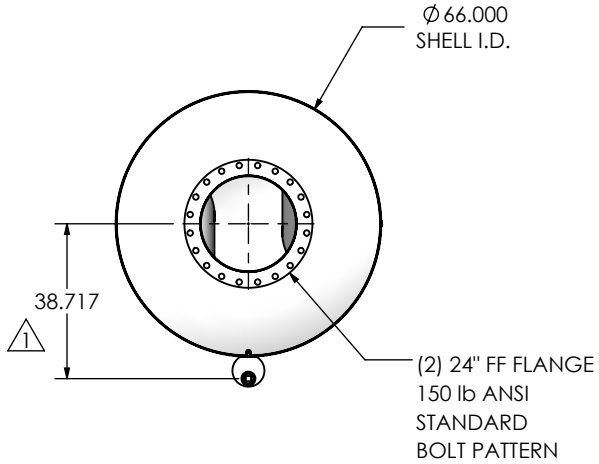
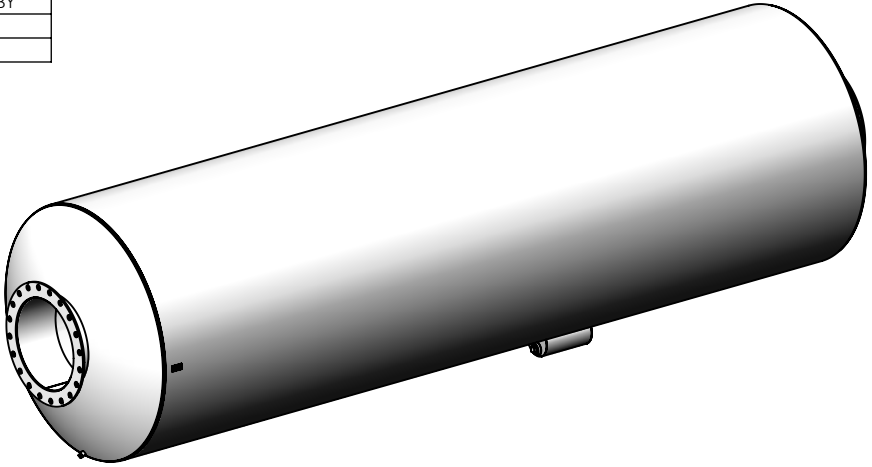


REVISIONS				
REV.	DESCRIPTION	DATE	SHEET(S)	DRAWN BY
0	INITIAL RELEASE	11/04/2016	1	FES
1	CLEAN OUT WAS 1-1/2 NPT, DIM38.717 WAS 36.717	12/11/2017	1	FES



NOTES:

- DO NOT USE EQUIPMENT TO SUPPORT OTHER PARTS OF THE EXHAUST SYSTEM WITHOUT PROPER REINFORCEMENT

MATERIAL CONSTRUCTION:

- 304 STAINLESS STEEL

PAINT:

- NONE

PROJECT NAME	PROPRIETARY AND CONFIDENTIAL THE INFORMATION CONTAINED IN THIS DRAWING IS THE SOLE PROPERTY OF MIRATECH GROUP, LLC. ANY REPRODUCTION IN PART OR AS A WHOLE WITHOUT THE WRITTEN PERMISSION OF MIRATECH GROUP, LLC IS PROHIBITED.
PROPOSAL NUMBER	
SALES ORDER NO.	
CUSTOMER P.O.	

DIMENSIONS ARE IN INCHES UNLESS OTHERWISE SPECIFIED	
DIMENSIONAL TOLERANCES UNLESS OTHERWISE SPECIFIED	
ANGLES	
MACH: $\pm 1^{\circ}$	INCHES: ± 0.125
BEND: $\pm 3^{\circ}$	MILLIMETERS: ± 2
DO NOT SCALE DRAWING	
DRAWN	DATE
FES	11/1/2016
REVIEWED BY	DATE
AJM	11/4/2016

SUHEE0-24PF-3-00000000 Sales Drawing			
DRAWING		SUHEE0-24PF-3-00000000 SD	
REV	1	SIZE	A
SCALE 1:48		WEIGHT: 4217 lb	
SHEET 1 OF 1			