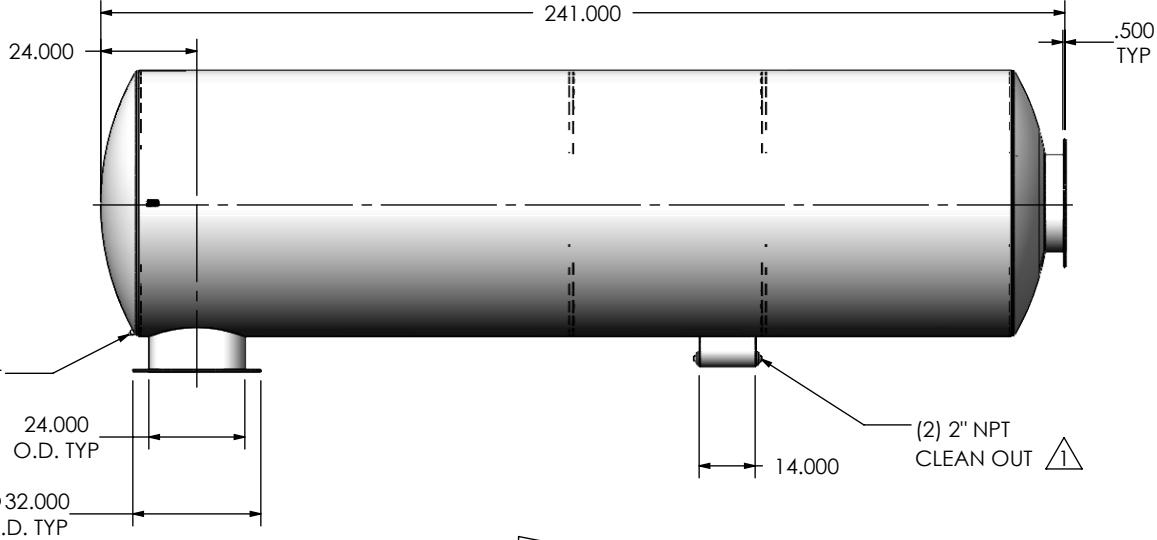
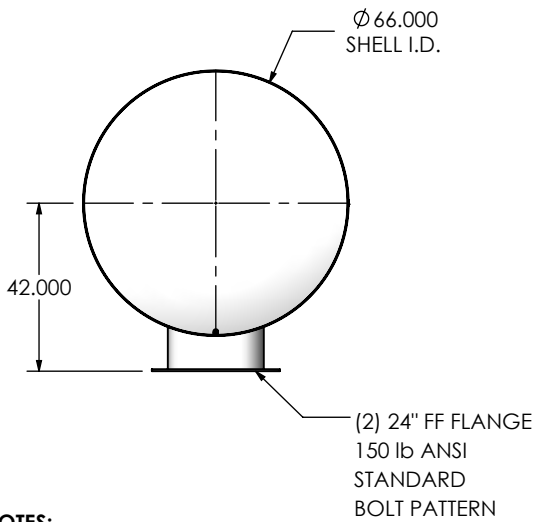
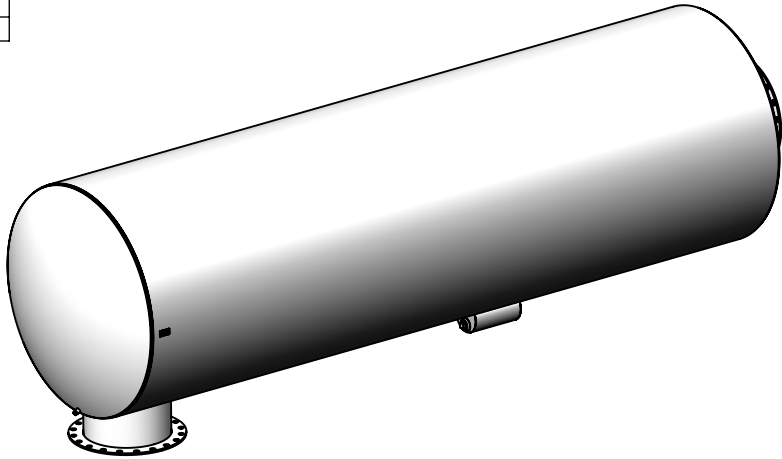


REVISIONS				
REV.	DESCRIPTION	DATE	SHEET(S)	DRAWN BY
0	INITIAL RELEASE	11/04/2016	1	FES
1	CLEAN OUT WAS 1-1/2 NPT	12/12/2017	1	FES



EXHAUST FLOW \rightarrow

- NOTES:**
- DO NOT USE EQUIPMENT TO SUPPORT OTHER PARTS OF THE EXHAUST SYSTEM WITHOUT PROPER REINFORCEMENT

- MATERIAL CONSTRUCTION:**
- CARBON STEEL
- PAINT:**
- HIGH TEMPERATURE BLACK (MIRATECH COATING SYSTEM 5)

PROJECT NAME	PROPRIETARY AND CONFIDENTIAL THE INFORMATION CONTAINED IN THIS DRAWING IS THE SOLE PROPERTY OF MIRATECH GROUP, LLC. ANY REPRODUCTION IN PART OR AS A WHOLE WITHOUT THE WRITTEN PERMISSION OF MIRATECH GROUP, LLC IS PROHIBITED.
PROPOSAL NUMBER	
SALES ORDER NO.	
CUSTOMER P.O.	

DIMENSIONS ARE IN INCHES UNLESS OTHERWISE SPECIFIED
 DIMENSIONAL TOLERANCES UNLESS OTHERWISE SPECIFIED
 ANGLES:
 MACH: $\pm 1^\circ$ INCHES: ± 0.125
 BEND: $\pm 3^\circ$ MILLIMETERS: ± 2
 DO NOT SCALE DRAWING

DRAWN	DATE
FES	11/1/2016
REVIEWED BY	DATE
AJM	11/4/2016

SUHGE0-24PF-2-000006V Sales Drawing			
DRAWING		REV	
SUHGE0-24PF-2-000006V SD		1	
SIZE	SCALE	WEIGHT	SHEET
A	1:48	3354 lb	1 OF 1