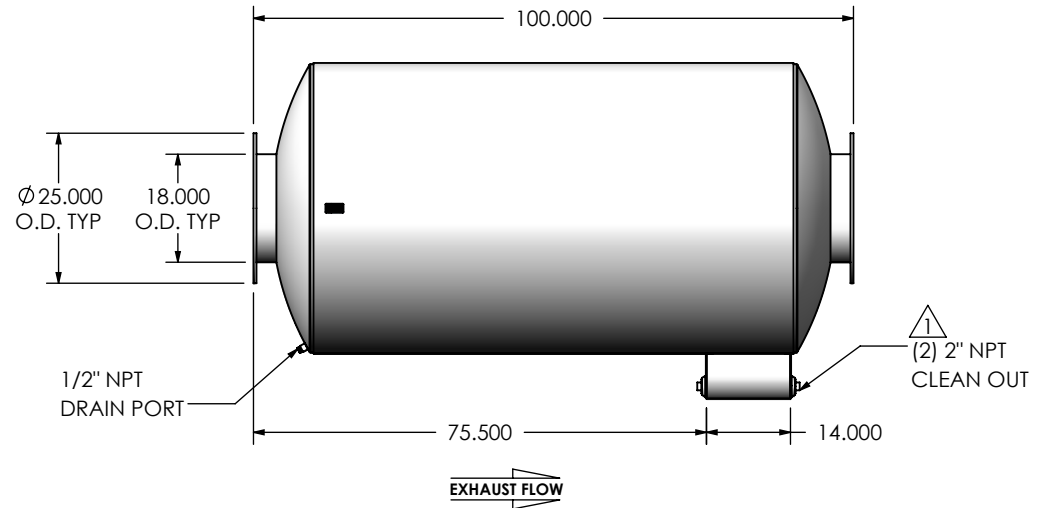
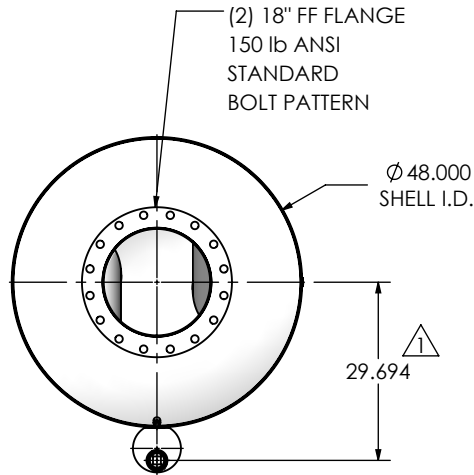
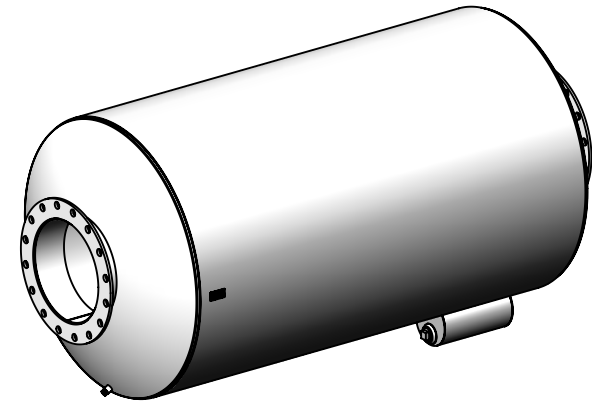


| REVISIONS |  |            |          |          |
|-----------|--|------------|----------|----------|
| REV.      | DESCRIPTION  | DATE       | SHEET(S) | DRAWN BY |
| 0         | ORIGINAL RELEASE   | 08/15/2016 | 1        | JFS      |
| 1         | (2) 2" NPT CLEAN OUT WAS (2) 1-1/2" NPT CLEAN OUT, 29.694 WAS 27.694 | 12/12/2017 | 1        | MAM      |



**NOTES:**

- DO NOT USE EQUIPMENT TO SUPPORT OTHER PARTS OF THE EXHAUST SYSTEM WITHOUT PROPER REINFORCEMENT

**MATERIAL CONSTRUCTION:**

- 304 STAINLESS STEEL

**PAINT:**

- NONE

|                 |   |
|-----------------|---|
| PROJECT NAME    | <b>PROPRIETARY AND CONFIDENTIAL</b><br><br>THE INFORMATION CONTAINED IN THIS DRAWING IS THE SOLE PROPERTY OF MIRATECH GROUP, LLC. ANY REPRODUCTION IN PART OR AS A WHOLE WITHOUT THE WRITTEN PERMISSION OF MIRATECH GROUP, LLC IS PROHIBITED. |
| PROPOSAL NUMBER |   |
| SALES ORDER NO. |   |
| CUSTOMER P.O.   |   |

|   |   |
|---|---|
| DIMENSIONS ARE IN INCHES UNLESS OTHERWISE SPECIFIED   |   |
| <small>DIMENSIONAL TOLERANCES UNLESS OTHERWISE SPECIFIED</small><br>ANGLES:<br>MACH: ±1°<br>BEND: ±3° | <small>DIMENSIONAL TOLERANCES UNLESS OTHERWISE SPECIFIED</small><br>INCHES: ±0.125<br>MILLIMETERS: ±2 |
| DO NOT SCALE DRAWING  |   |
| DRAWN   | DATE  |
| JFS   | 08/15/2016  |
| REVIEWED BY   | DATE  |
| EQJ   | 08/15/2016  |

|   |   |                           |   |
|---|---|---------------------------|---|
|   |   |                           |   |
| <b>SUIEE0-18PF-3-00000000</b><br><b>Sales Drawing</b> |   |                           |   |
| DRAWING   |   | SUIEE0-18PF-3-00000000 SD |   |
| REV   | 1 | SIZE                      | A |
| SCALE 1:32  |   | WEIGHT: 1195 lb           |   |
| SHEET 1 OF 1  |   |                           |   |