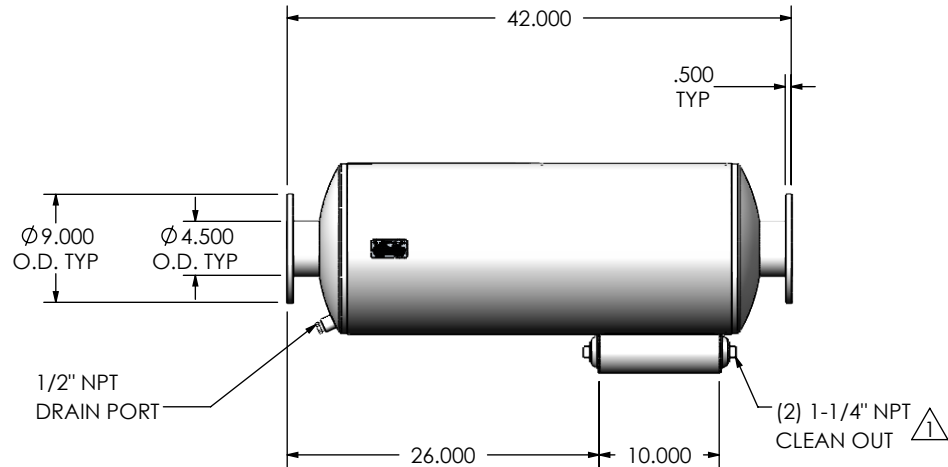
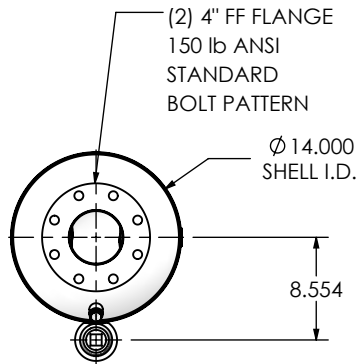
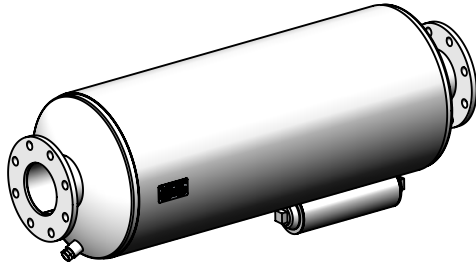


| REVISIONS | | | | |
|-----------|-------------------------|------------|----------|----------|
| REV. | DESCRIPTION | DATE | SHEET(S) | DRAWN BY |
| 0 | INITIAL RELEASE | 8/26/2016 | 1 | FES |
| 1 | CLEAN OUT WAS 1-1/2 NPT | 12/18/2017 | 1 | FES |



NOTES:

- DO NOT USE EQUIPMENT TO SUPPORT OTHER PARTS OF THE EXHAUST SYSTEM WITHOUT PROPER REINFORCEMENT

MATERIAL CONSTRUCTION:

- CARBON STEEL

PAINT:

- HIGH TEMPERATURE BLACK (MIRATECH COATING SYSTEM 5)

| | | | | | | | |
|-----------------|--|---|------------|--|------------|---------------|--------------|
| PROJECT NAME | <p>PROPRIETARY AND CONFIDENTIAL</p> <p>THE INFORMATION CONTAINED IN THIS DRAWING IS THE SOLE PROPERTY OF MIRATECH GROUP, LLC. ANY REPRODUCTION IN PART OR AS A WHOLE WITHOUT THE WRITTEN PERMISSION OF MIRATECH GROUP, LLC IS PROHIBITED.</p> | <p>DIMENSIONS ARE IN INCHES UNLESS OTHERWISE SPECIFIED</p> <p>ANGLES: DIMENSIONAL TOLERANCES UNLESS OTHERWISE SPECIFIED</p> <p>MACH: ±1" INCHES: ±0.125 BEND: ±3" MILLIMETERS: ±2</p> | | | | | |
| PROPOSAL NUMBER | | DO NOT SCALE DRAWING | | <p>SUREE0-04PF-2-00000000</p> <p>Sales Drawing</p> | | | |
| SALES ORDER NO. | | DRAWN | DATE | DRAWING | | | |
| CUSTOMER P.O. | | JFS | 08/26/2016 | SUREE0-04PF-2-00000000 SD | | | |
| | | REVIEWED BY | DATE | SIZE | SCALE 1:16 | WEIGHT: 73 lb | SHEET 1 OF 1 |
| | | | 08/15/2016 | A | | | |