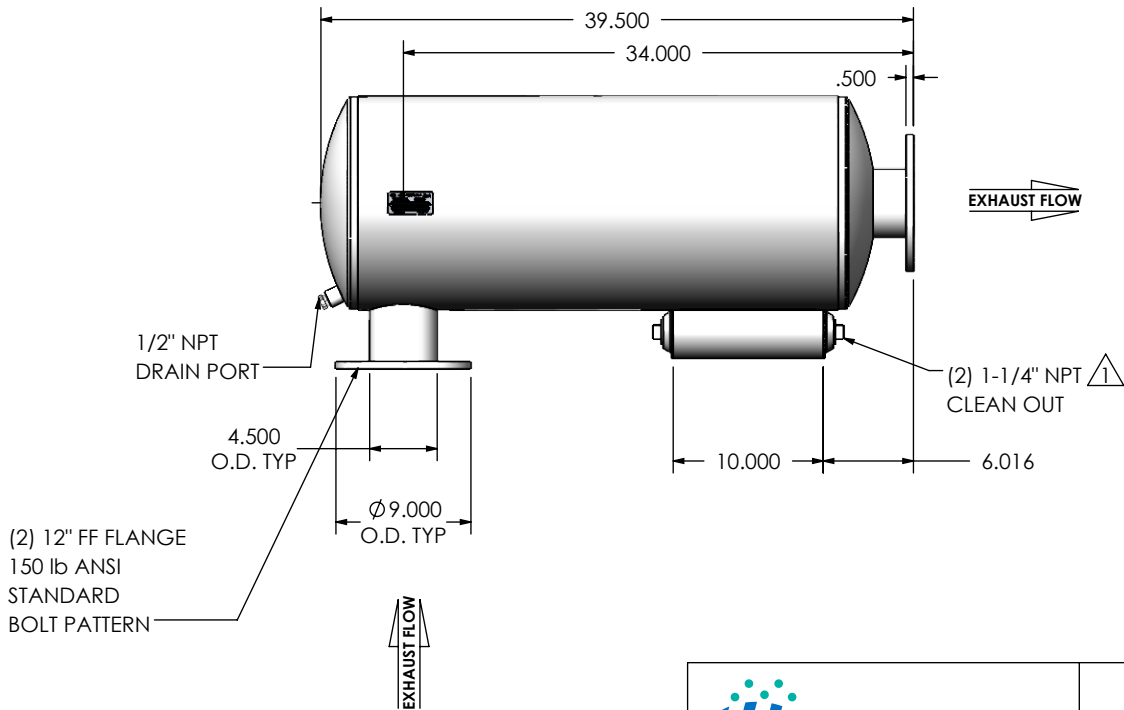
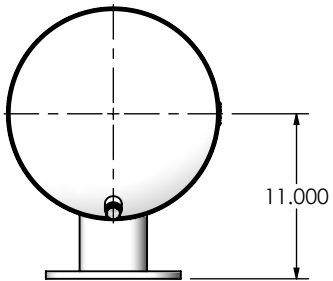
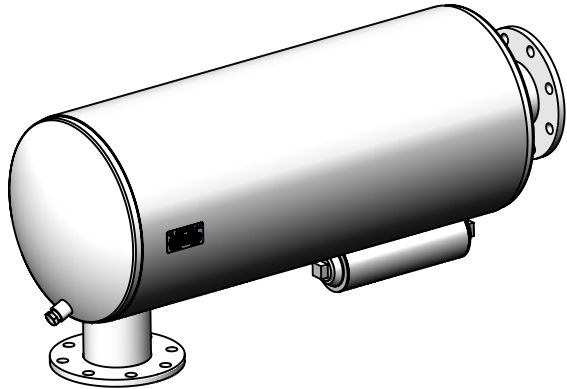


REVISIONS				
REV.	DESCRIPTION	DATE	SHEET(S)	DRAWN BY
0	INITIAL RELEASE	8/26/2016	1	FES
1	CLEAN OUT WAS 1-1/2 NPT	12/19/2017	1	FES



**NOTES:**

- DO NOT USE EQUIPMENT TO SUPPORT OTHER PARTS OF THE EXHAUST SYSTEM WITHOUT PROPER REINFORCEMENT

**MATERIAL CONSTRUCTION:**

- ALUMINIZED STEEL

**PAINT:**

- HIGH TEMPERATURE BLACK (MIRATECH COATING SYSTEM 5)

PROJECT NAME	<p><b>PROPRIETARY AND CONFIDENTIAL</b></p> <p>THE INFORMATION CONTAINED IN THIS DRAWING IS THE SOLE PROPERTY OF MIRATECH GROUP, LLC. ANY REPRODUCTION IN PART OR AS A WHOLE WITHOUT THE WRITTEN PERMISSION OF MIRATECH GROUP, LLC IS PROHIBITED.</p>	<p>DIMENSIONS ARE IN INCHES UNLESS OTHERWISE SPECIFIED</p> <p>ANGLES: MACH: ±1° INCHES: ±0.125 BEND: ±3° MILLIMETERS: ±2</p>			
PROPOSAL NUMBER		<p>DO NOT SCALE DRAWING</p>		<p><b>SURGE0-04PF-1-000001K</b> Sales Drawing</p>	
SALES ORDER NO.		<p>DRAWN: JFS</p> <p>REVIEWED BY:</p>	<p>DATE: 08/26/2016</p> <p>DATE: 08/15/2016</p>	<p>DRAWING: SURGE0-04PF-1-000001K SD</p> <p>SCALE: 5:64</p> <p>WEIGHT: 73 lb</p>	<p>REV: 1</p> <p>SHEET 1 OF 1</p>
CUSTOMER P.O.					