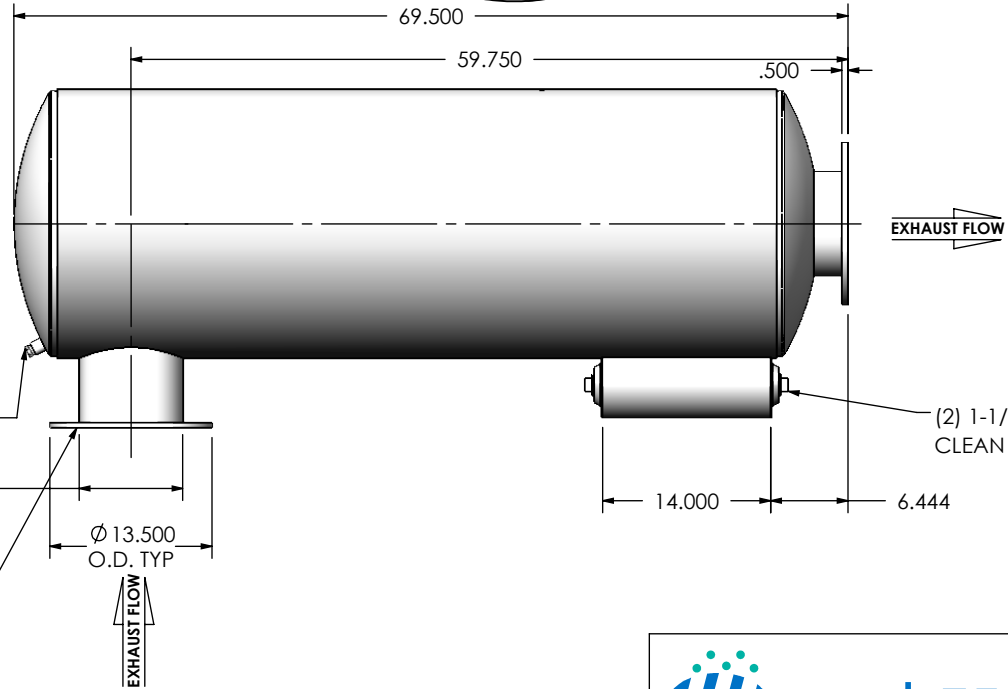
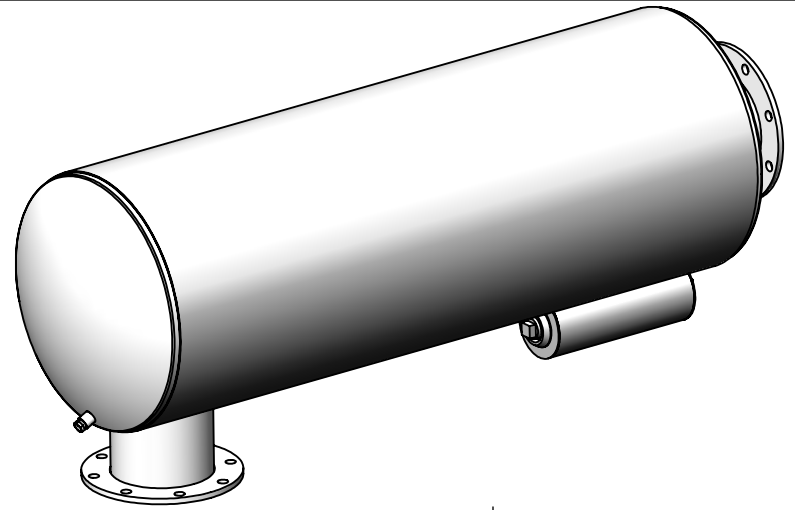


17.000



1/2" NPT
DRAIN PORT

Ø8.625
O.D. TYP

(2) 12" FF FLANGE
150 lb ANSI
STANDARD
BOLT PATTERN

Ø13.500
O.D. TYP

EXHAUST FLOW

EXHAUST FLOW

(2) 1-1/2" NPT
CLEAN OUT

NOTES:

- DO NOT USE EQUIPMENT TO SUPPORT OTHER PARTS OF THE EXHAUST SYSTEM WITHOUT PROPER REINFORCEMENT

MATERIAL CONSTRUCTION:

- CARBON STEEL

PAINT:

- HIGH TEMPERATURE BLACK (MIRATECH COATING SYSTEM 5)

PROJECT NAME	
PROPOSAL NUMBER	
SALES ORDER NO.	
CUSTOMER P.O.	

PROPRIETARY AND CONFIDENTIAL



THE INFORMATION CONTAINED IN THIS DRAWING IS THE SOLE PROPERTY OF MIRATECH GROUP, LLC. ANY REPRODUCTION IN PART OR AS A WHOLE WITHOUT THE WRITTEN PERMISSION OF MIRATECH GROUP, LLC IS PROHIBITED.

DIMENSIONS ARE IN INCHES UNLESS OTHERWISE SPECIFIED

DIMENSIONAL TOLERANCES UNLESS OTHERWISE SPECIFIED	
ANGLES	
MACH: ±1°	INCHES: ±0.125
BEND: ±3°	MILLIMETERS: ±2

DO NOT SCALE DRAWING

DRAWN	DATE
JFS	08/26/2016
REVIEWED BY	DATE
	08/15/2016

 	
SURGE0-08PF-2-0000002T Sales Drawing	
DRAWING SURGE0-08PF-2-0000002T SD	
REV	0
SIZE	A
SCALE	1:16
WEIGHT	214 lb
SHEET 1 OF 1	