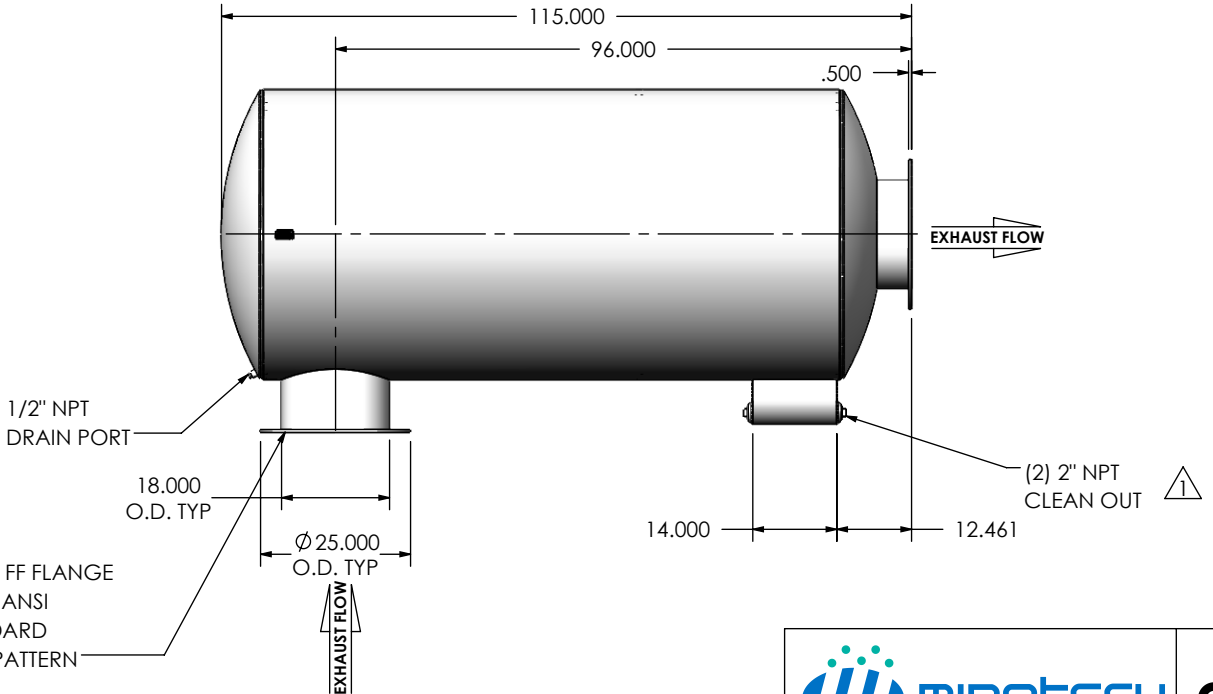
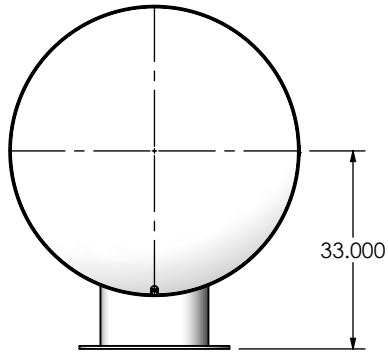
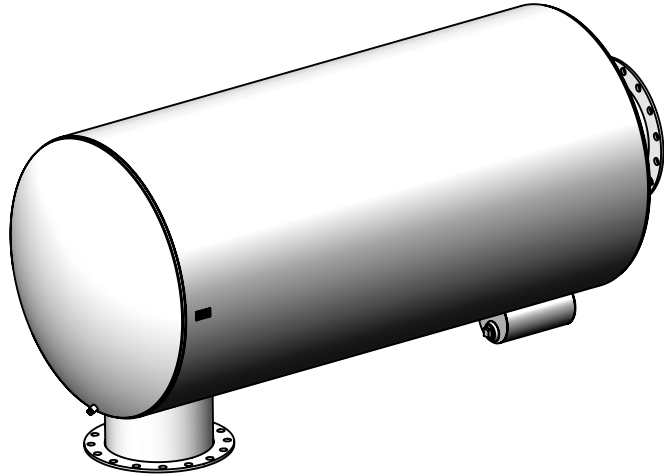


REVISIONS				
REV.	DESCRIPTION	DATE	SHEET(S)	DRAWN BY
0	INITIAL RELEASE	8/26/2016	1	FES
1	CLEAN OUT WAS 1-1/2 NPT	12/19/2017	1	FES



NOTES:

- DO NOT USE EQUIPMENT TO SUPPORT OTHER PARTS OF THE EXHAUST SYSTEM WITHOUT PROPER REINFORCEMENT

MATERIAL CONSTRUCTION:

- CARBON STEEL

PAINT:

- HIGH TEMPERATURE BLACK (MIRATECH COATING SYSTEM 5)

PROJECT NAME	<p align="center">PROPRIETARY AND CONFIDENTIAL</p> <p>THE INFORMATION CONTAINED IN THIS DRAWING IS THE SOLE PROPERTY OF MIRATECH GROUP, LLC. ANY REPRODUCTION IN PART OR AS A WHOLE WITHOUT THE WRITTEN PERMISSION OF MIRATECH GROUP, LLC IS PROHIBITED.</p>	<p align="center">DIMENSIONS ARE IN INCHES UNLESS OTHERWISE SPECIFIED</p>			
PROPOSAL NUMBER		<p align="center">DIMENSIONAL TOLERANCES UNLESS OTHERWISE SPECIFIED</p> <p>ANGLES: MACH: ±1° INCHES: ±0.125 BEND: ±3° MILLIMETERS: ±2</p>		<p align="center">SURGE0-18PF-2-0000005F Sales Drawing</p>	
SALES ORDER NO.		<p align="center">DO NOT SCALE DRAWING</p>		<p>DRAWING SURGE0-18PF-2-0000005F SD</p>	
CUSTOMER P.O.		<p>DRAWN JFS</p> <p>DATE 08/26/2016</p> <p>REVIEWED BY</p> <p>DATE 08/15/2016</p>	<p>SCALE 1:32</p> <p>WEIGHT: 1319 lb</p>	<p>REV 1</p> <p>SHEET 1 OF 1</p>	