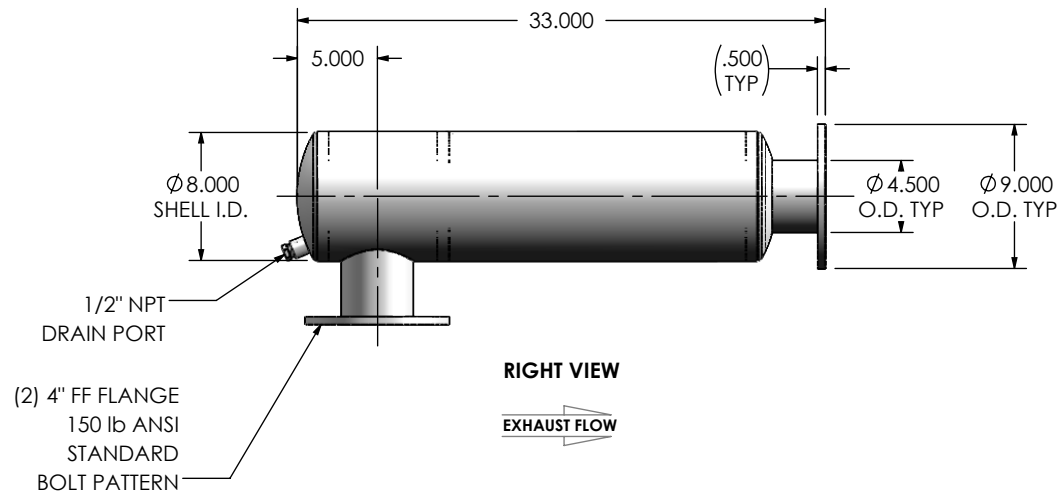


FRONT VIEW



RIGHT VIEW

EXHAUST FLOW

**NOTES:**



- DO NOT USE EQUIPMENT TO SUPPORT OTHER PARTS OF THE EXHAUST SYSTEM WITHOUT PROPER REINFORCEMENT

**MATERIAL CONSTRUCTION:**

- ALUMINIZED STEEL

**PAINT:**

- HIGH TEMPERATURE BLACK (MIRATECH COATING SYSTEM 5)

PROJECT NAME	<p><b>PROPRIETARY AND CONFIDENTIAL</b></p> <p>THE INFORMATION CONTAINED IN THIS DRAWING IS THE SOLE PROPERTY OF MIRATECH GROUP, LLC. ANY REPRODUCTION IN PART OR AS A WHOLE WITHOUT THE WRITTEN PERMISSION OF MIRATECH GROUP, LLC IS PROHIBITED.</p>	<p>DIMENSIONS ARE IN INCHES UNLESS OTHERWISE SPECIFIED</p>		 
PROPOSAL NUMBER		<p><small>DIMENSIONAL TOLERANCES UNLESS OTHERWISE SPECIFIED</small></p> <p>ANGLES: MACH: ±1° INCHES: ±0.125 BEND: ±3° MILLIMETERS: ±2</p>		
SALES ORDER NO.		<p>DO NOT SCALE DRAWING</p>		<p><b>TRGEP-04PF-1-000001F</b> <b>Sales Drawing</b></p>
CUSTOMER P.O.		<p>DRAWN: JFS</p> <p>DATE: 08/04/2016</p> <p>REVIEWED BY:</p> <p>DATE: 08/04/2016</p>	<p>DRAWING: TRGEP-04PF-1-000001F SD</p> <p>REV: 0</p> <p>SIZE: A</p> <p>SCALE: 1:12</p> <p>WEIGHT: 34 lb</p> <p>SHEET 1 OF 1</p>	