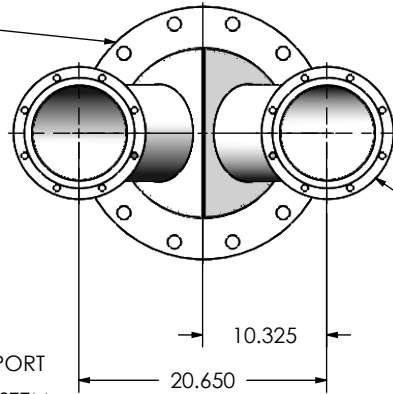


14" FF FLANGE
150 lb ANSI
STANDARD
BOLT PATTERN
FLANGE FLOATS



(2) 8" CATERPILLAR FF FLANGE
FLANGE FLOATS

NOTES:

- DO NOT USE EQUIPMENT TO SUPPORT OTHER PARTS OF THE EXHAUST SYSTEM WITHOUT PROPER REINFORCEMENT

MATERIAL CONSTRUCTION:

- CARBON STEEL

PAINT:

- HIGH TEMPERATURE BLACK (MIRATECH COATING SYSTEM 5)

PROJECT NAME	
PROPOSAL NUMBER	
SALES ORDER NO.	
CUSTOMER P.O.	

PROPRIETARY AND CONFIDENTIAL



THE INFORMATION CONTAINED IN THIS DRAWING IS THE SOLE PROPERTY OF MIRATECH GROUP, LLC. ANY REPRODUCTION IN PART OR AS A WHOLE WITHOUT THE WRITTEN PERMISSION OF MIRATECH GROUP, LLC IS PROHIBITED.

DIMENSIONS ARE IN INCHES UNLESS OTHERWISE SPECIFIED

DIMENSIONAL TOLERANCES UNLESS OTHERWISE SPECIFIED	
ANGLES:	
MACH: ±1°	INCHES: ±0.125
BEND: ±3°	MILLIMETERS: ±2

DO NOT SCALE DRAWING

DRAWN	DATE
JFH	04/10/2018
REVIEWED BY	DATE
CAC	04/10/2018

			
Y08-D08CA2-14PF2-207-360-00-2 SD Sales Drawing			
DRAWING		REV	
Y08-D08CA2-14PF2-207-360-00-2 SD		0	
SIZE	SCALE 1:16	WEIGHT: 88 lb	SHEET 1 OF 1
A			