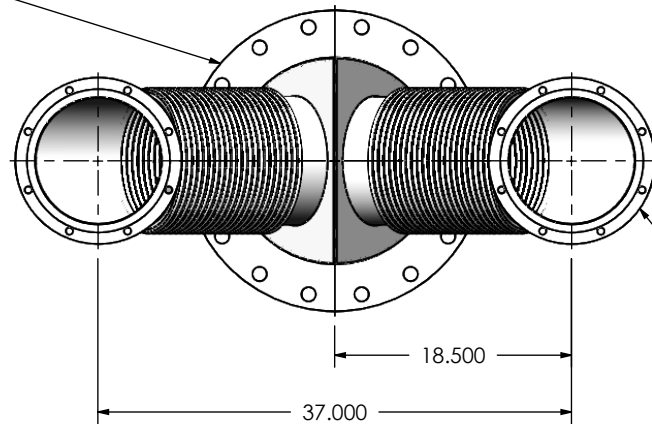
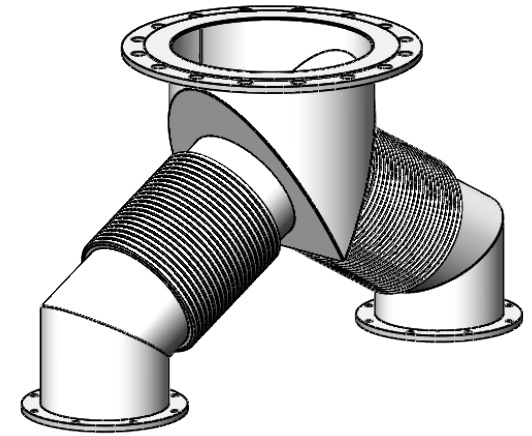


16" FF FLANGE  
150 lb ANSI  
STANDARD  
BOLT PATTERN  
FLANGE FLOATS



(2) 10" DETROIT DIESEL FF FLANGE  
FLANGE FLOATS



**NOTES:**

- DO NOT USE EQUIPMENT TO SUPPORT OTHER PARTS OF THE EXHAUST SYSTEM WITHOUT PROPER REINFORCEMENT

**MATERIAL CONSTRUCTION:**

- CARBON STEEL

**PAINT:**

- HIGH TEMPERATURE BLACK (MIRATECH COATING SYSTEM 5)

PROJECT NAME	
PROPOSAL NUMBER	
SALES ORDER NO.	
CUSTOMER P.O.	

**PROPRIETARY AND CONFIDENTIAL**

THE INFORMATION CONTAINED IN THIS DRAWING IS THE SOLE PROPERTY OF MIRATECH GROUP, LLC. ANY REPRODUCTION IN PART OR AS A WHOLE WITHOUT THE WRITTEN PERMISSION OF MIRATECH GROUP, LLC IS PROHIBITED.

DIMENSIONS ARE IN INCHES UNLESS OTHERWISE SPECIFIED

DIMENSIONAL TOLERANCES UNLESS OTHERWISE SPECIFIED	
ANGLES:	
MACH: ±1°	INCHES: ±0.125
BEND: ±3°	MILLIMETERS: ±2

DO NOT SCALE DRAWING

DRAWN	DATE
SSC	8/24/2017
REVIEWED BY	DATE
CAC	8/24/2017



**Y10-D10DF2-16PF2-370-260-00-2**  
**Sales Drawing**

DRAWING	Y10-D10DF2-16PF2-370-260-00-2 SD	REV	0
SIZE	A	SCALE	1:15
WEIGHT	109 lb	SHEET	1 OF 1