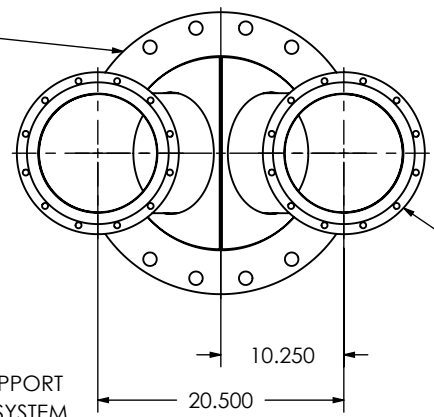


16" FF FLANGE
150 lb ANSI
STANDARD
BOLT PATTERN
FLANGE FLOATS



(2) 10" CATERPILLAR FF FLANGE
FLANGE FLOATS

NOTES:

- DO NOT USE EQUIPMENT TO SUPPORT OTHER PARTS OF THE EXHAUST SYSTEM WITHOUT PROPER REINFORCEMENT

MATERIAL CONSTRUCTION:

- CARBON STEEL

PAINT:

- HIGH TEMPERATURE BLACK (MIRATECH COATING SYSTEM 5)

PROJECT NAME
PROPOSAL NUMBER
SALES ORDER NO.
CUSTOMER P.O.

PROPRIETARY AND CONFIDENTIAL

THE INFORMATION CONTAINED IN THIS DRAWING IS THE SOLE PROPERTY OF MIRATECH GROUP, LLC. ANY REPRODUCTION IN PART OR AS A WHOLE WITHOUT THE WRITTEN PERMISSION OF MIRATECH GROUP, LLC IS PROHIBITED.

DIMENSIONS ARE IN INCHES UNLESS OTHERWISE SPECIFIED	
DIMENSIONAL TOLERANCES UNLESS OTHERWISE SPECIFIED	
ANGLES:	
MACH: ±1°	INCHES: ±0.125
BEND: ±3°	MILLIMETERS: ±2
DO NOT SCALE DRAWING	
DRAWN	DATE
CSF	05/16/2017
REVIEWED BY	DATE
AJM	05/16/2017

Y10-D10CA2-18PF2-205-360-00-2 Sales Drawing			
DRAWING		REV	
Y10-D10TF2-18PF2-205-360-00-2 SD_0		0	
SIZE	SCALE 1:16	WEIGHT: 117 lb	SHEET 1 OF 1