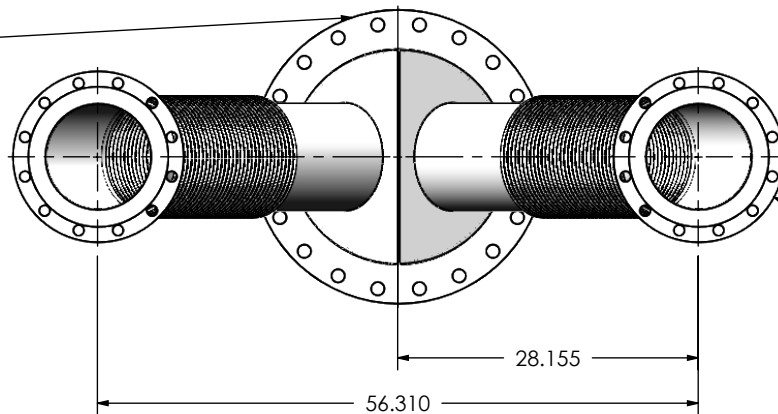


20" FF FLANGE
150 lb ANSI
STANDARD
BOLT PATTERN
FLANGE FLOATS



(2) 10" FF FLANGE
150lb ANSI
STANDARD
BOLT PATTERN
FLANGE FLOATS

NOTES:

- DO NOT USE EQUIPMENT TO SUPPORT OTHER PARTS OF THE EXHAUST SYSTEM WITHOUT PROPER REINFORCEMENT

MATERIAL CONSTRUCTION:

- 304 STAINLESS STEEL

PAINT:

- NONE

PROJECT NAME	---
PROPOSAL NUMBER	---
SALES ORDER NO.	---
CUSTOMER P.O.	---

PROPRIETARY AND CONFIDENTIAL



THE INFORMATION CONTAINED IN THIS DRAWING IS THE SOLE PROPERTY OF MIRATECH GROUP, LLC. ANY REPRODUCTION IN PART OR AS A WHOLE WITHOUT THE WRITTEN PERMISSION OF MIRATECH GROUP, LLC IS PROHIBITED.

DIMENSIONS ARE IN INCHES UNLESS OTHERWISE SPECIFIED

DIMENSIONAL TOLERANCES UNLESS OTHERWISE SPECIFIED	
ANGLES	
MACH: ±1"	INCHES: ±0.125
BEND: ±3"	MILLIMETERS: ±2

DO NOT SCALE DRAWING

DRAWN	DATE
SSC	5/16/2017
REVIEWED BY	DATE
AJM	5/16/2017

 	
<p align="center">Y10-D10TF2-20PF2-563-360-00-3 Sales Drawing</p>	
DRAWING	REV
Y10-D10TF2-20PF2-563-360-00-3 SD	0
SIZE	SHEET 1 OF 1
A	SCALE 1:32 WEIGHT: 166 lb