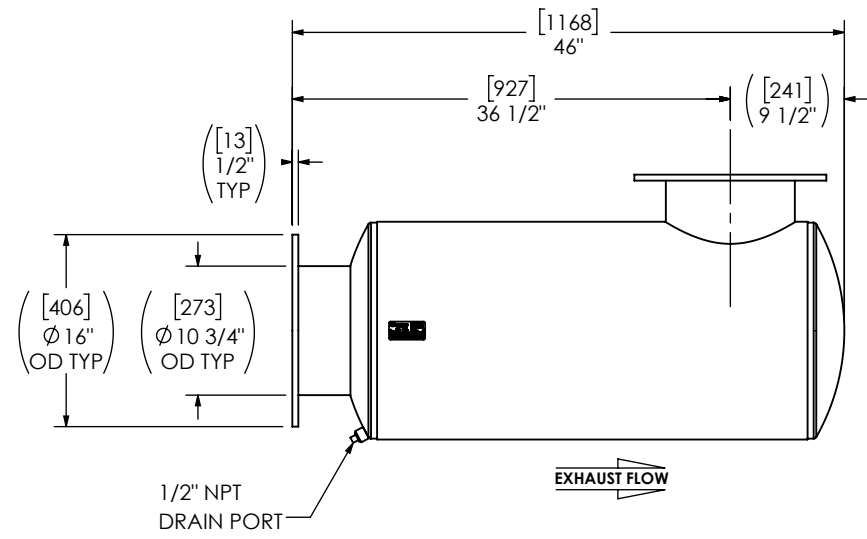
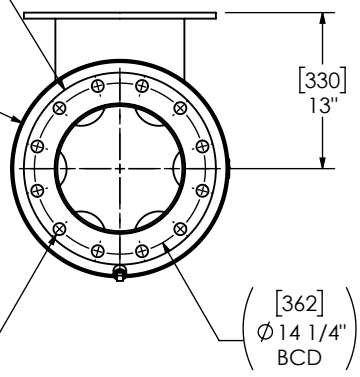


(2) 10" FF FLANGE
150 lb ANSI
STANDARD
BOLT PATTERN

[457]
Ø 18"
NOM DIA



NOTES:

- DO NOT USE EQUIPMENT TO SUPPORT OTHER PARTS OF THE EXHAUST SYSTEM WITHOUT PROPER REINFORCEMENT

MATERIAL CONSTRUCTION:

- CARBON STEEL

PAINT:

- HIGH TEMPERATURE BLACK (MIRATECH COATING SYSTEM 5)

PROJECT NAME	PROPRIETARY AND CONFIDENTIAL THE INFORMATION CONTAINED IN THIS DRAWING IS THE SOLE PROPERTY OF MIRATECH. ANY REPRODUCTION IN PART OR AS A WHOLE WITHOUT THE WRITTEN PERMISSION OF MIRATECH IS PROHIBITED.	ALL DIMENSIONS IN INCHES (MILLIMETERS) UNLESS OTHERWISE SPECIFIED.				
PROPOSAL NUMBER		CRITICAL DIMENSIONS ARE CIRCLED				
SALES ORDER NO.		TOLERANCES UNLESS OTHERWISE SPECIFIED < 12 [305] ±1/8 [3] 12 [305] ≥ 36 [915] ±3/16 [5] 36 [915] ≥ 360 [9150] ±5/16 [9] > 360 [9150] ±7/16 [12] ANGULAR ±3° WEIGHT ±10%	M1EA0-10PF-2-000029EF SILENCER INDUSTRIAL GRADE M11			
CUSTOMER P.O. [P.N.]		PROJECTION 	DRAWN RR DATE 2024-01-19 REVIEWED CSF DATE 2024-01-19	SALES DRAWING M1EA0-10PF-2-000029EF SD	OEM NO 0 REV 0	
		SIZE A	DO NOT SCALE	SCALE 1:16	WEIGHT 105lb/47kg	SHEET NO. 1 OF 1