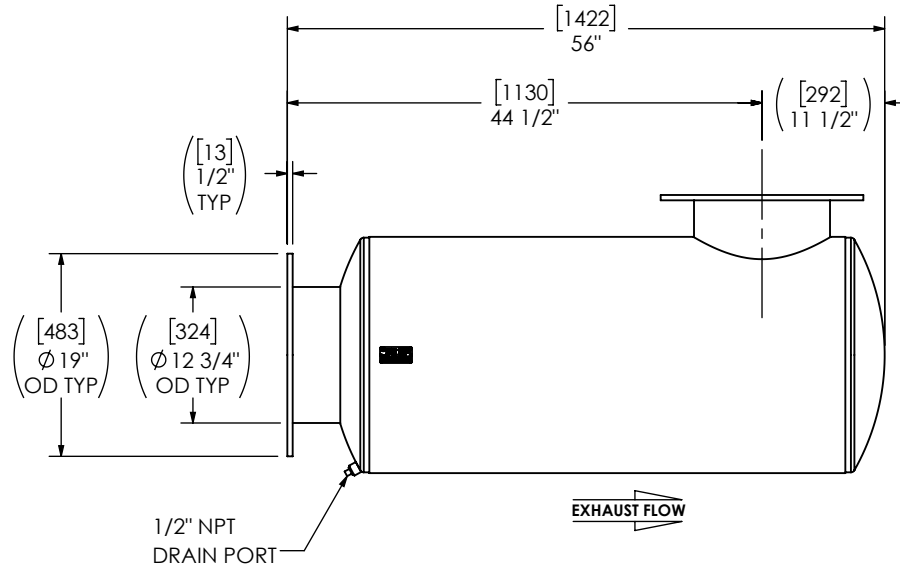
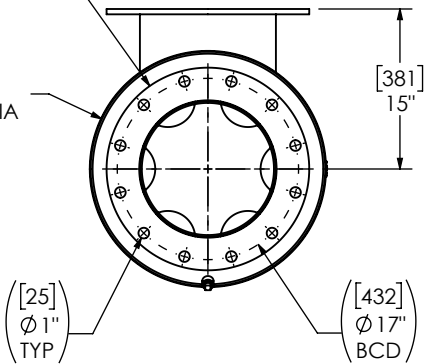


(2) 12" FF FLANGE
150 lb ANSI
STANDARD
BOLT PATTERN

[559]
Ø 22"
NOM DIA



NOTES:

- DO NOT USE EQUIPMENT TO SUPPORT OTHER PARTS OF THE EXHAUST SYSTEM WITHOUT PROPER REINFORCEMENT

MATERIAL CONSTRUCTION:

- CARBON STEEL

PAINT:

- HIGH TEMPERATURE BLACK (MIRATECH COATING SYSTEM 5)

PROJECT NAME	<p>PROPRIETARY AND CONFIDENTIAL</p> <p>THE INFORMATION CONTAINED IN THIS DRAWING IS THE SOLE PROPERTY OF MIRATECH. ANY REPRODUCTION IN PART OR AS A WHOLE WITHOUT THE WRITTEN PERMISSION OF MIRATECH IS PROHIBITED.</p>	<p>ALL DIMENSIONS IN INCHES (MILLIMETERS) UNLESS OTHERWISE SPECIFIED.</p> <p>CRITICAL DIMENSIONS ARE CIRCLED</p>															
PROPOSAL NUMBER		<p>TOLERANCES UNLESS OTHERWISE SPECIFIED</p> <table border="1"> <tr> <td>< 12 [305]</td> <td>±1/8 [3]</td> </tr> <tr> <td>12 [305] ≥ 36 [915]</td> <td>±3/16 [5]</td> </tr> <tr> <td>36 [915] ≥ 360 [9150]</td> <td>±5/16 [9]</td> </tr> <tr> <td>> 360 [9150]</td> <td>±7/16 [12]</td> </tr> <tr> <td>ANGULAR</td> <td>±3°</td> </tr> <tr> <td>WEIGHT</td> <td>±10%</td> </tr> </table>		< 12 [305]	±1/8 [3]	12 [305] ≥ 36 [915]	±3/16 [5]	36 [915] ≥ 360 [9150]	±5/16 [9]	> 360 [9150]	±7/16 [12]	ANGULAR	±3°	WEIGHT	±10%	<p>M1EA0-12PF-2-00002R4K</p> <p>SILENCER INDUSTRIAL GRADE M11</p>	
< 12 [305]		±1/8 [3]															
12 [305] ≥ 36 [915]		±3/16 [5]															
36 [915] ≥ 360 [9150]	±5/16 [9]																
> 360 [9150]	±7/16 [12]																
ANGULAR	±3°																
WEIGHT	±10%																
SALES ORDER NO.	<p>PROJECTION</p>		<p>SALES DRAWING</p> <p>M1EA0-12PF-2-00002R4K SD</p>		<p>OEM NO</p> <p>REV 0</p>												
CUSTOMER P.O. [P.N.]	<p>DRAWN RR</p> <p>DATE 2024-01-19</p>	<p>REVIEWED CSF</p> <p>DATE 2024-01-19</p>	<p>SIZE A</p> <p>DO NOT SCALE</p>	<p>SCALE 1:18</p> <p>WEIGHT 166lb/75kg</p>	<p>SHEET NO. 1 OF 1</p>												