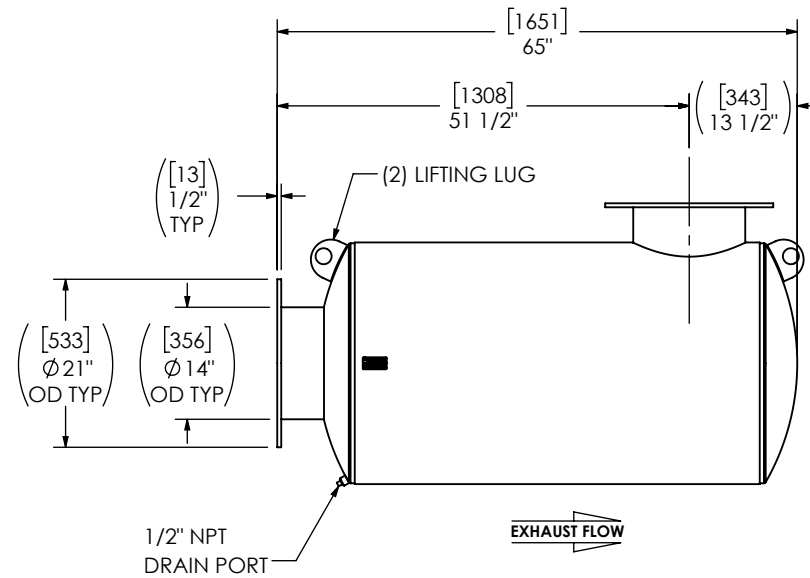
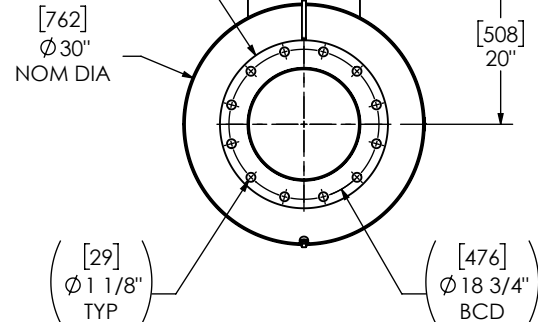


(2) 14" FF FLANGE
150 lb ANSI
STANDARD
BOLT PATTERN



NOTES:

- DO NOT USE EQUIPMENT TO SUPPORT OTHER PARTS OF THE EXHAUST SYSTEM WITHOUT PROPER REINFORCEMENT

MATERIAL CONSTRUCTION:

- CARBON STEEL

PAINT:

- HIGH TEMPERATURE BLACK (MIRATECH COATING SYSTEM 5)

| | | | | | | | | |
|----------------------|---|---|------------------------------|---|--------------|-----------------|--------------------|------------------|
| PROJECT NAME | PROPRIETARY AND CONFIDENTIAL THE INFORMATION CONTAINED IN THIS DRAWING IS THE SOLE PROPERTY OF MIRATECH. ANY REPRODUCTION IN PART OR AS A WHOLE WITHOUT THE WRITTEN PERMISSION OF MIRATECH IS PROHIBITED. | ALL DIMENSIONS IN INCHES (MILLIMETERS) UNLESS OTHERWISE SPECIFIED. | | | | | | |
| PROPOSAL NUMBER | | CRITICAL DIMENSIONS ARE CIRCLED | | | | | | |
| SALES ORDER NO. | | TOLERANCES UNLESS OTHERWISE SPECIFIED < 12 [305] ±1/8 [3] 12 [305] ≥ 36 [915] ±3/16 [5] 36 [915] ≥ 360 [9150] ±5/16 [9] > 360 [9150] ±7/16 [12] | | M1EA0-14PF-2-000037UQ SILENCER INDUSTRIAL GRADE M11 | | | | |
| CUSTOMER P.O. [P.N.] | | ANGLULAR WEIGHT ±3° ±10% | | SALES DRAWING M1EA0-14PF-2-000037UQ SD | | OEM NO 0 | | |
| PROJECTION | | DRAWN RR DATE 2024-01-18 | REVIEWED CSF DATE 2024-01-18 | SIZE A | DO NOT SCALE | SCALE 1:24 | WEIGHT 302lb/137kg | SHEET NO. 1 OF 1 |