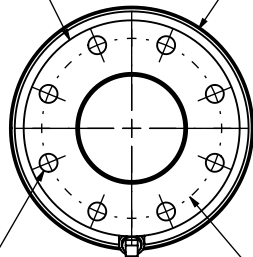


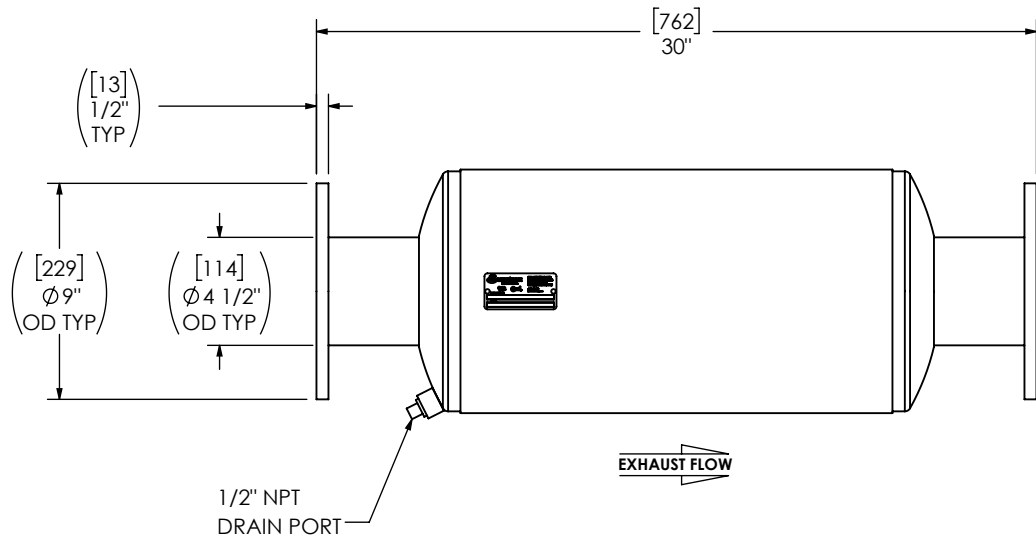
(2) 4" FF FLANGE
150 lb ANSI
STANDARD
BOLT PATTERN

[254]
Ø 10"
NOM DIA

([19])
Ø 3/4"
TYP



([191])
Ø 7 1/2"
BCD



NOTES:

- DO NOT USE EQUIPMENT TO SUPPORT OTHER PARTS OF THE EXHAUST SYSTEM WITHOUT PROPER REINFORCEMENT

MATERIAL CONSTRUCTION:

- CARBON STEEL

PAINT:

- HIGH TEMPERATURE BLACK (MIRATECH COATING SYSTEM 5)

PROJECT NAME	PROPRIETARY AND CONFIDENTIAL THE INFORMATION CONTAINED IN THIS DRAWING IS THE SOLE PROPERTY OF MIRATECH. ANY REPRODUCTION IN PART OR AS A WHOLE WITHOUT THE WRITTEN PERMISSION OF MIRATECH IS PROHIBITED.	ALL DIMENSIONS IN INCHES (MILLIMETERS) UNLESS OTHERWISE SPECIFIED. CRITICAL DIMENSIONS ARE CIRCLED				
PROPOSAL NUMBER		TOLERANCES UNLESS OTHERWISE SPECIFIED: < 12 [305] ±1/8 [3] 12 [305] ≥ 36 [915] ±3/16 [5] 36 [915] ≥ 360 [9150] ±5/16 [9] > 360 [9150] ±7/16 [12] ANGULAR ±3° WEIGHT ±10%				
SALES ORDER NO.		PROJECTION 		M1EE0-04PF-2-00000000 SILENCER INDUSTRIAL GRADE M11		
CUSTOMER P.O. [P.N.]		DRAWN RR DATE 2023-12-05 REVIEWED CSF DATE 2023-12-05		SALES DRAWING M1EE0-04PF-2-00000000 SD OEM NO 0 SHEET NO. 1 OF 1		
			SIZE A	DO NOT SCALE	SCALE 1:8	WEIGHT 32lb/14kg