

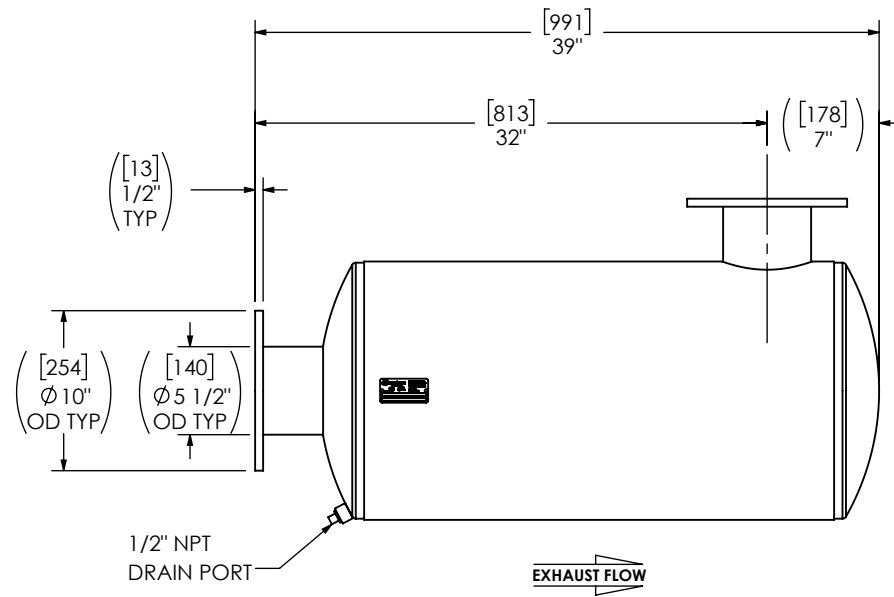
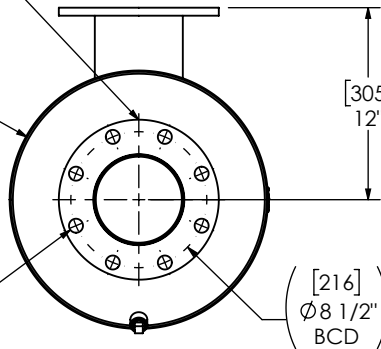
(2) 5" FF FLANGE  
150 lb ANSI  
STANDARD  
BOLT PATTERN

[406]  
Ø 16"  
NOM DIA

[305]  
12"

( [22] )  
Ø 7/8"  
TYP

( [216] )  
Ø 8 1/2"  
BCD



**NOTES:**

- DO NOT USE EQUIPMENT TO SUPPORT OTHER PARTS OF THE EXHAUST SYSTEM WITHOUT PROPER REINFORCEMENT

**MATERIAL CONSTRUCTION:**

- CARBON STEEL

**PAINT:**

- HIGH TEMPERATURE BLACK (MIRATECH COATING SYSTEM 5)

PROJECT NAME	<b>PROPRIETARY AND CONFIDENTIAL</b> THE INFORMATION CONTAINED IN THIS DRAWING IS THE SOLE PROPERTY OF MIRATECH. ANY REPRODUCTION IN PART OR AS A WHOLE WITHOUT THE WRITTEN PERMISSION OF MIRATECH IS PROHIBITED.	ALL DIMENSIONS IN INCHES (MILLIMETERS) UNLESS OTHERWISE SPECIFIED.		
PROPOSAL NUMBER		CRITICAL DIMENSIONS ARE CIRCLED		
SALES ORDER NO.		TOLERANCES UNLESS OTHERWISE SPECIFIED < 12 [305] ±1/8 [3] 12 [305] ≥ 36 [915] ±3/16 [5] 36 [915] ≥ 360 [9150] ±5/16 [9] > 360 [9150] ±7/16 [12]	ANGULAR ±3° WEIGHT ±10%	<b>M2EA0-05PF-2-00001N10</b> SILENCER RESIDENTIAL GRADE M22
CUSTOMER P.O. [P.N.]		PROJECTION 	SALES DRAWING M2EA0-05PF-2-00001N10 SD	OEM NO REV 0
		DRAWN SK DATE 2024-01-19 REVIEWED CSF DATE 2024-01-19	SIZE A DO NOT SCALE SCALE 1:12 WEIGHT 71lb/32kg	SHEET NO. 1 OF 1