

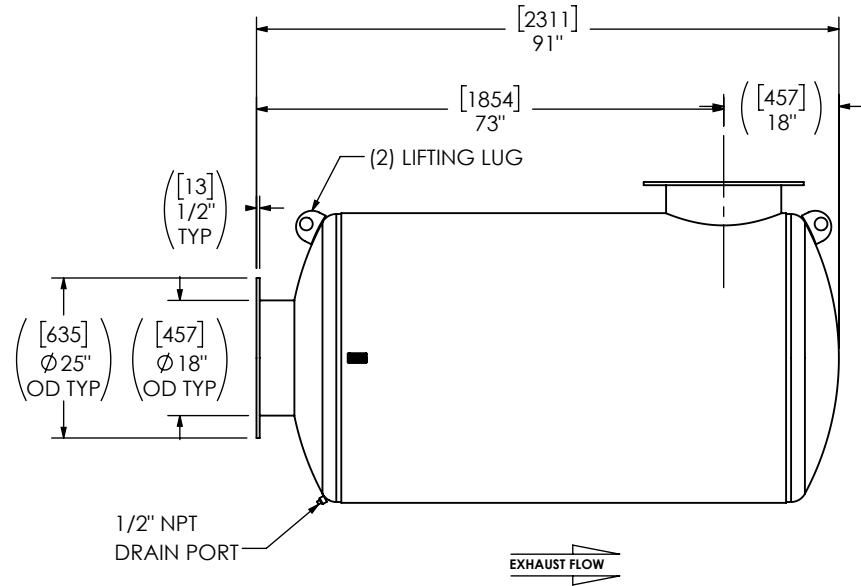
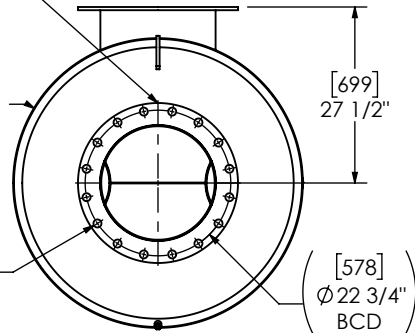
(2) 18" FF FLANGE
150 lb ANSI
STANDARD
BOLT PATTERN

[1143]
Ø 45"
NOM DIA

[699]
27 1/2"

([32])
Ø 1 1/4"
TYP

([578])
Ø 22 3/4"
BCD



NOTES:

- DO NOT USE EQUIPMENT TO SUPPORT OTHER PARTS OF THE EXHAUST SYSTEM WITHOUT PROPER REINFORCEMENT

MATERIAL CONSTRUCTION:

- CARBON STEEL

PAINT:

- HIGH TEMPERATURE BLACK (MIRATECH COATING SYSTEM 5)

PROJECT NAME	<p>PROPRIETARY AND CONFIDENTIAL</p> <p>THE INFORMATION CONTAINED IN THIS DRAWING IS THE SOLE PROPERTY OF MIRATECH. ANY REPRODUCTION IN PART OR AS A WHOLE WITHOUT THE WRITTEN PERMISSION OF MIRATECH IS PROHIBITED.</p>	ALL DIMENSIONS IN INCHES (MILLIMETERS) UNLESS OTHERWISE SPECIFIED.																																
PROPOSAL NUMBER		CRITICAL DIMENSIONS ARE CIRCLED																																
SALES ORDER NO.		<p>TOLERANCES UNLESS OTHERWISE SPECIFIED</p> <table border="1"> <tr> <td>< 12 [305]</td> <td>±1/8 [3]</td> </tr> <tr> <td>12 [305] ≥ 36 [915]</td> <td>±3/16 [5]</td> </tr> <tr> <td>36 [915] ≥ 360 [9150]</td> <td>±5/16 [9]</td> </tr> <tr> <td>> 360 [9150]</td> <td>±7/16 [12]</td> </tr> <tr> <td>ANGULAR</td> <td>±3°</td> </tr> <tr> <td>WEIGHT</td> <td>±10%</td> </tr> </table>	< 12 [305]	±1/8 [3]	12 [305] ≥ 36 [915]	±3/16 [5]	36 [915] ≥ 360 [9150]	±5/16 [9]	> 360 [9150]	±7/16 [12]	ANGULAR	±3°	WEIGHT	±10%	<p>M2EA0-18PF-2-00004AGA</p> <p>SILENCER RESIDENTIAL GRADE M22</p>																			
< 12 [305]		±1/8 [3]																																
12 [305] ≥ 36 [915]	±3/16 [5]																																	
36 [915] ≥ 360 [9150]	±5/16 [9]																																	
> 360 [9150]	±7/16 [12]																																	
ANGULAR	±3°																																	
WEIGHT	±10%																																	
CUSTOMER P.O. [P.N.]	<p>PROJECTION</p>	<table border="1"> <tr> <td>DRAWN</td> <td>SK</td> <td>DATE</td> <td>2024-01-19</td> </tr> <tr> <td>REVIEWED</td> <td>CSF</td> <td>DATE</td> <td>2024-01-19</td> </tr> </table>	DRAWN	SK	DATE	2024-01-19	REVIEWED	CSF	DATE	2024-01-19	<p>SALES DRAWING</p> <p>M2EA0-18PF-2-00004AGA SD</p> <table border="1"> <tr> <td>SIZE</td> <td>A</td> <td>SCALE</td> <td>DO NOT SCALE</td> <td>SCALE</td> <td>1:30</td> <td>WEIGHT</td> <td>877lb/398kg</td> <td>OEM NO</td> <td>NO</td> <td>REV</td> <td>0</td> </tr> <tr> <td colspan="8"></td> <td>SHEET NO.</td> <td colspan="2">1 OF 1</td> </tr> </table>	SIZE	A	SCALE	DO NOT SCALE	SCALE	1:30	WEIGHT	877lb/398kg	OEM NO	NO	REV	0									SHEET NO.	1 OF 1	
DRAWN	SK	DATE	2024-01-19																															
REVIEWED	CSF	DATE	2024-01-19																															
SIZE	A	SCALE	DO NOT SCALE	SCALE	1:30	WEIGHT	877lb/398kg	OEM NO	NO	REV	0																							
								SHEET NO.	1 OF 1																									