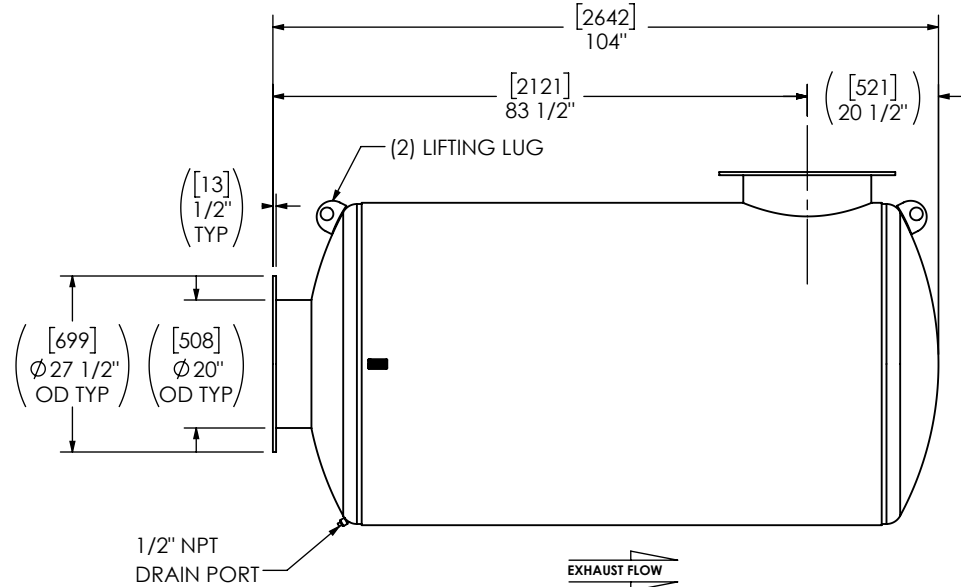
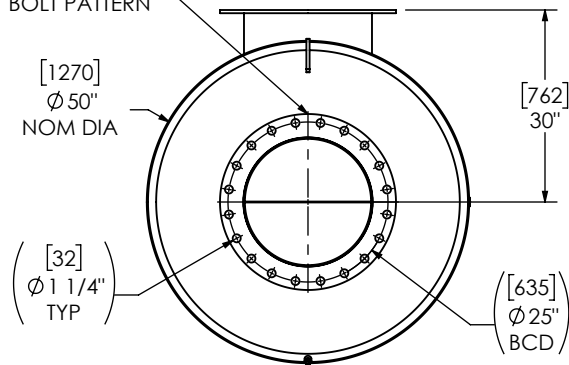


(2) 20" FF FLANGE
150 lb ANSI
STANDARD
BOLT PATTERN



NOTES:

- DO NOT USE EQUIPMENT TO SUPPORT OTHER PARTS OF THE EXHAUST SYSTEM WITHOUT PROPER REINFORCEMENT

MATERIAL CONSTRUCTION:

- CARBON STEEL

PAINT:

- HIGH TEMPERATURE BLACK (MIRATECH COATING SYSTEM 5)

| PROJECT NAME | <p>PROPRIETARY AND CONFIDENTIAL</p> <p>THE INFORMATION CONTAINED IN THIS DRAWING IS THE SOLE PROPERTY OF MIRATECH. ANY REPRODUCTION IN PART OR AS A WHOLE WITHOUT THE WRITTEN PERMISSION OF MIRATECH IS PROHIBITED.</p> | ALL DIMENSIONS IN INCHES (MILLIMETERS) UNLESS OTHERWISE SPECIFIED. | | | | | | | | | | | | | | | | | | | | |
|---|--|---|------------|---------------------------------------|------------|------------|----------|---------------------|------------|---|---------------|--------------|------------|--------------------------|-----|--------|-------|--------|-----------|--------------|------|--------|
| PROPOSAL NUMBER | | CRITICAL DIMENSIONS ARE CIRCLED | | | | | | | | | | | | | | | | | | | | |
| SALES ORDER NO. | | <table border="1"> <tr> <th colspan="2">TOLERANCES UNLESS OTHERWISE SPECIFIED</th> </tr> <tr> <td>< 12 [305]</td> <td>±1/8 [3]</td> </tr> <tr> <td>12 [305] ≥ 36 [915]</td> <td>±3/16 [5]</td> </tr> <tr> <td>36 [915] ≥ 360 [9150]</td> <td>±5/16 [9]</td> </tr> <tr> <td>> 360 [9150]</td> <td>±7/16 [12]</td> </tr> <tr> <td>ANGULAR</td> <td>±3°</td> </tr> <tr> <td>WEIGHT</td> <td>±10%</td> </tr> </table> | | TOLERANCES UNLESS OTHERWISE SPECIFIED | | < 12 [305] | ±1/8 [3] | 12 [305] ≥ 36 [915] | ±3/16 [5] | 36 [915] ≥ 360 [9150] | ±5/16 [9] | > 360 [9150] | ±7/16 [12] | ANGULAR | ±3° | WEIGHT | ±10% | | | | | |
| TOLERANCES UNLESS OTHERWISE SPECIFIED | | | | | | | | | | | | | | | | | | | | | | |
| < 12 [305] | ±1/8 [3] | | | | | | | | | | | | | | | | | | | | | |
| 12 [305] ≥ 36 [915] | ±3/16 [5] | | | | | | | | | | | | | | | | | | | | | |
| 36 [915] ≥ 360 [9150] | ±5/16 [9] | | | | | | | | | | | | | | | | | | | | | |
| > 360 [9150] | ±7/16 [12] | | | | | | | | | | | | | | | | | | | | | |
| ANGULAR | ±3° | | | | | | | | | | | | | | | | | | | | | |
| WEIGHT | ±10% | | | | | | | | | | | | | | | | | | | | | |
| CUSTOMER P.O. [P.N.] | PROJECTION | | | | | | | | | | | | | | | | | | | | | |
| <table border="1"> <tr> <td>DRAWN</td> <td>SK</td> <td>DATE</td> <td>2024-01-19</td> </tr> <tr> <td>REVIEWED</td> <td>CSF</td> <td>DATE</td> <td>2024-01-19</td> </tr> </table> | | DRAWN | SK | DATE | 2024-01-19 | REVIEWED | CSF | DATE | 2024-01-19 | <table border="1"> <tr> <td>SALES DRAWING</td> <td>OEM</td> <td>REV</td> </tr> <tr> <td>M2EA0-20PF-2-00004WCQ SD</td> <td>NO</td> <td>0</td> </tr> <tr> <td>SCALE</td> <td>WEIGHT</td> <td>SHEET NO.</td> </tr> <tr> <td>DO NOT SCALE</td> <td>1:30</td> <td>1 OF 1</td> </tr> </table> | SALES DRAWING | OEM | REV | M2EA0-20PF-2-00004WCQ SD | NO | 0 | SCALE | WEIGHT | SHEET NO. | DO NOT SCALE | 1:30 | 1 OF 1 |
| DRAWN | SK | DATE | 2024-01-19 | | | | | | | | | | | | | | | | | | | |
| REVIEWED | CSF | DATE | 2024-01-19 | | | | | | | | | | | | | | | | | | | |
| SALES DRAWING | OEM | REV | | | | | | | | | | | | | | | | | | | | |
| M2EA0-20PF-2-00004WCQ SD | NO | 0 | | | | | | | | | | | | | | | | | | | | |
| SCALE | WEIGHT | SHEET NO. | | | | | | | | | | | | | | | | | | | | |
| DO NOT SCALE | 1:30 | 1 OF 1 | | | | | | | | | | | | | | | | | | | | |
| | | <p>M2EA0-20PF-2-00004WCQ</p> <p>SILENCER RESIDENTIAL GRADE M22</p> | | | | | | | | | | | | | | | | | | | | |