

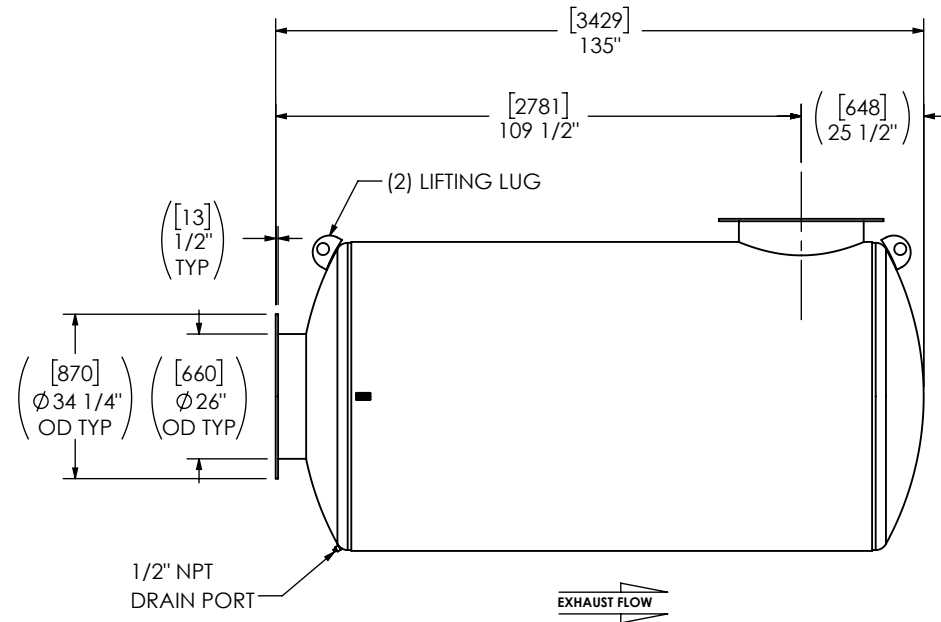
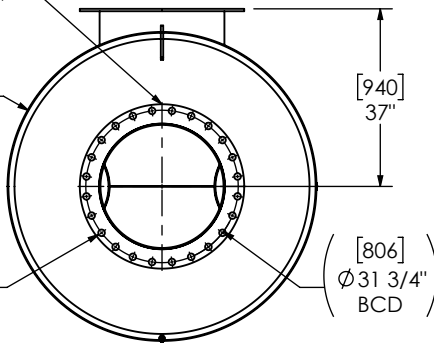
(2) 26" FF FLANGE
150 lb ANSI
STANDARD
BOLT PATTERN

[1626]
Ø 64"
NOM DIA

[940]
37"

([35])
Ø 1 3/8"
TYP

([806])
Ø 31 3/4"
BCD



NOTES:

- DO NOT USE EQUIPMENT TO SUPPORT OTHER PARTS OF THE EXHAUST SYSTEM WITHOUT PROPER REINFORCEMENT

MATERIAL CONSTRUCTION:

- CARBON STEEL

PAINT:

- HIGH TEMPERATURE BLACK (MIRATECH COATING SYSTEM 5)

PROJECT NAME	PROPRIETARY AND CONFIDENTIAL THE INFORMATION CONTAINED IN THIS DRAWING IS THE SOLE PROPERTY OF MIRATECH. ANY REPRODUCTION IN PART OR AS A WHOLE WITHOUT THE WRITTEN PERMISSION OF MIRATECH IS PROHIBITED.	ALL DIMENSIONS IN INCHES (MILLIMETERS) UNLESS OTHERWISE SPECIFIED. CRITICAL DIMENSIONS ARE CIRCLED		
PROPOSAL NUMBER		TOLERANCES UNLESS OTHERWISE SPECIFIED < 12 [305] ±1/8 [3] 12 [305] ≥ 36 [915] ±3/16 [5] 36 [915] ≥ 360 [9150] ±5/16 [9] > 360 [9150] ±7/16 [12]	M2EA0-26PF-2-0000635K SILENCER RESIDENTIAL GRADE M22	
SALES ORDER NO.		ANGLAR ±3° WEIGHT ±10%	SALES DRAWING M2EA0-26PF-2-0000635K SD	
CUSTOMER P.O. [P.N.]		PROJECTION 	DRAWN SK DATE 2024-01-19 REVIEWED CSF DATE 2024-01-19	OEM NO 0 SHEET NO. 1 OF 1
		SIZE A DO NOT SCALE	SCALE 1:40 WEIGHT 2319lb/1054kg	