

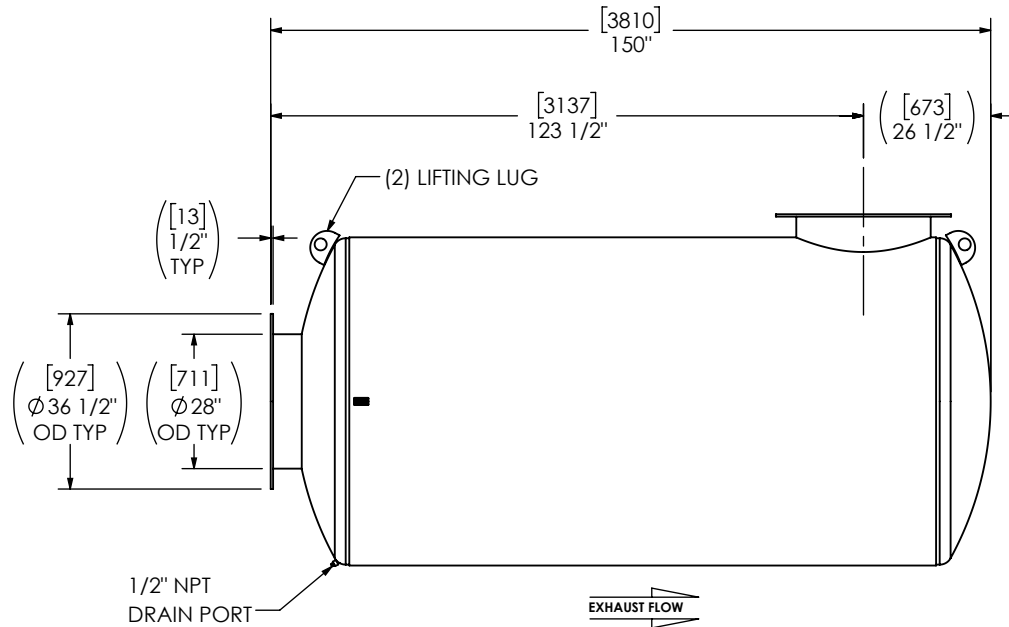
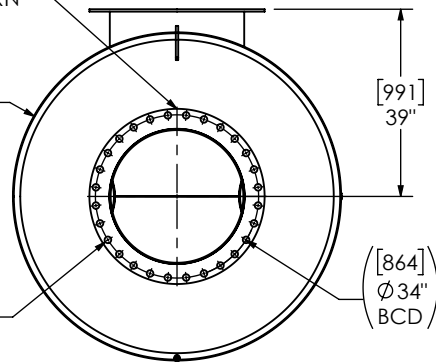
(2) 28" FF FLANGE  
150 lb ANSI  
STANDARD  
BOLT PATTERN

[1727]  
Ø 68"  
NOM DIA

[991]  
39"

( [35] )  
Ø 1 3/8"  
TYP

( [864] )  
Ø 34"  
BCD



**NOTES:**

- DO NOT USE EQUIPMENT TO SUPPORT OTHER PARTS OF THE EXHAUST SYSTEM WITHOUT PROPER REINFORCEMENT

**MATERIAL CONSTRUCTION:**

- CARBON STEEL

**PAINT:**

- HIGH TEMPERATURE BLACK (MIRATECH COATING SYSTEM 5)

PROJECT NAME	<b>PROPRIETARY AND CONFIDENTIAL</b> THE INFORMATION CONTAINED IN THIS DRAWING IS THE SOLE PROPERTY OF MIRATECH. ANY REPRODUCTION IN PART OR AS A WHOLE WITHOUT THE WRITTEN PERMISSION OF MIRATECH IS PROHIBITED.	ALL DIMENSIONS IN INCHES (MILLIMETERS) UNLESS OTHERWISE SPECIFIED. CRITICAL DIMENSIONS ARE <b>CIRCLED</b>						
PROPOSAL NUMBER		TOLERANCES UNLESS OTHERWISE SPECIFIED < 12 [305] ±1/8 [3] 12 [305] ≥ 36 [915] ±3/16 [5] 36 [915] ≥ 360 [9150] ±5/16 [9] > 360 [9150] ±7/16 [12] ANGULAR ±3° WEIGHT ±10%				<b>M2EA0-28PF-2-00006B15</b> SILENCER RESIDENTIAL GRADE M22		
SALES ORDER NO.		PROJECTION	DRAWN	DATE	SALES DRAWING		OEM	REV
CUSTOMER P.O. [P.N.]			SK	2024-01-19	M2EA0-28PF-2-00006B15 SD		NO	0
		REVIEWED	DATE	SIZE	SCALE	WEIGHT	SHEET NO.	
		CSF	2024-01-19	A	DO NOT SCALE	1:40	2669lb/1213kg	
						1 OF 1		