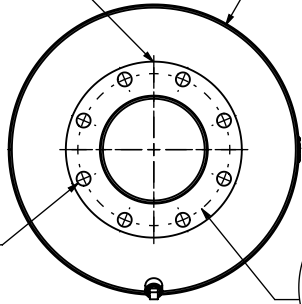


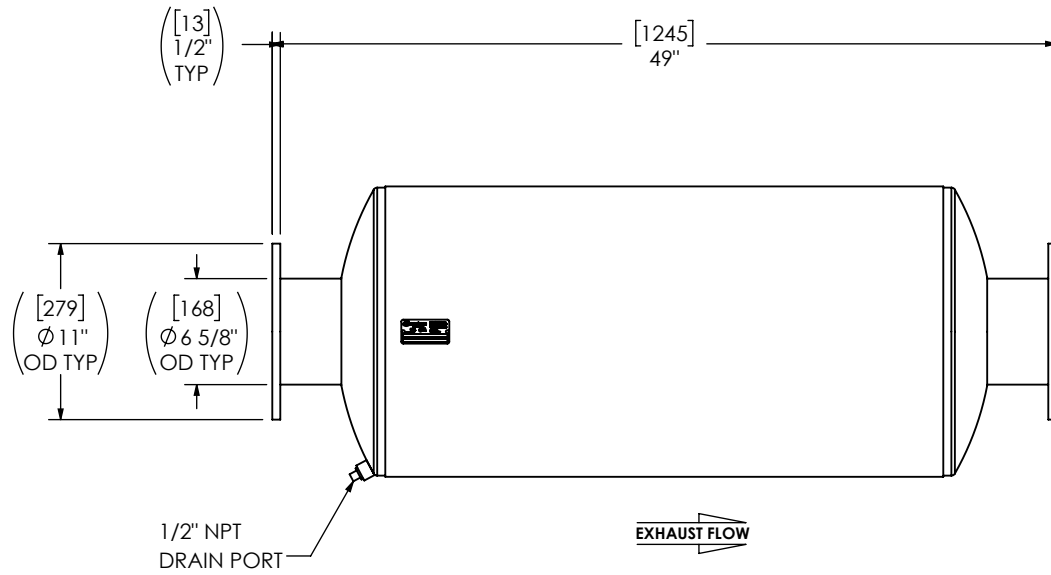
(2) 6" FF FLANGE  
150 lb ANSI  
STANDARD  
BOLT PATTERN

[457]  
Ø 18"  
NOM DIA

[22]  
Ø 7 7/8"  
TYP



[241]  
Ø 9 1/2"  
BCD



**NOTES:**

- DO NOT USE EQUIPMENT TO SUPPORT OTHER PARTS OF THE EXHAUST SYSTEM WITHOUT PROPER REINFORCEMENT

**MATERIAL CONSTRUCTION:**

- CARBON STEEL

**PAINT:**

- HIGH TEMPERATURE BLACK (MIRATECH COATING SYSTEM 5)

PROJECT NAME	<b>PROPRIETARY AND CONFIDENTIAL</b> THE INFORMATION CONTAINED IN THIS DRAWING IS THE SOLE PROPERTY OF MIRATECH. ANY REPRODUCTION IN PART OR AS A WHOLE WITHOUT THE WRITTEN PERMISSION OF MIRATECH IS PROHIBITED.	ALL DIMENSIONS IN INCHES (MILLIMETERS) UNLESS OTHERWISE SPECIFIED. CRITICAL DIMENSIONS ARE <b>CIRCLED</b>				
PROPOSAL NUMBER		TOLERANCES UNLESS OTHERWISE SPECIFIED < 12 [305] ±1/8 [3] 12 [305] ≥ 36 [915] ±3/16 [5] 36 [915] ≥ 360 [9150] ±5/16 [9] > 360 [9150] ±7/16 [12]				
SALES ORDER NO.		ANGLULAR WEIGHT ±3° ±10%		<b>M2EE0-06PF-2-00000000</b> SILENCER RESIDENTIAL GRADE M22		
CUSTOMER P.O. [P.N.]		PROJECTION 		SALES DRAWING M2EE0-06PF-2-00000000 SD		
		DRAWN SK DATE 2023-12-05 REVIEWED CSF DATE 2023-12-05	DATE 2023-12-05	SIZE A DO NOT SCALE	SCALE 1:12 WEIGHT 97lb/44kg	OEM NO 0 REV 0 SHEET NO. 1 OF 1