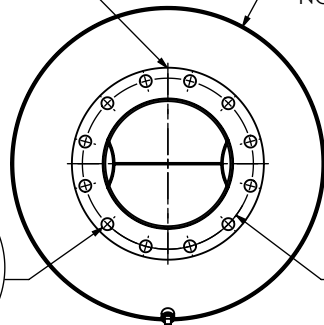


(2) 10" FF FLANGE  
150 lb ANSI  
STANDARD  
BOLT PATTERN

[660]  
Ø 26"  
NOM DIA

[25]  
Ø 1"  
TYP

[362]  
Ø 14 1/4"  
BCD

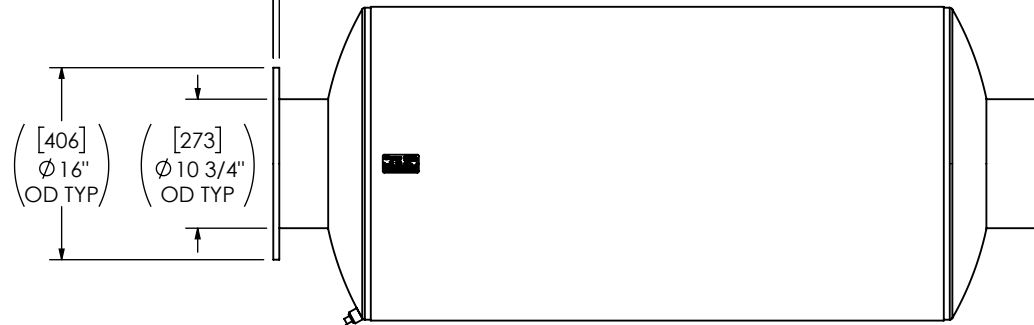


[13]  
1/2"  
TYP

[1626]  
64"

[406]  
Ø 16"  
OD TYP

[273]  
Ø 10 3/4"  
OD TYP



1/2" NPT  
DRAIN PORT

EXHAUST FLOW

**NOTES:**

- DO NOT USE EQUIPMENT TO SUPPORT OTHER PARTS OF THE EXHAUST SYSTEM WITHOUT PROPER REINFORCEMENT

**MATERIAL CONSTRUCTION:**

- CARBON STEEL

**PAINT:**

- HIGH TEMPERATURE BLACK (MIRATECH COATING SYSTEM 5)

|                      |                                                                                                                                                                                                                     |                                                                                                                                                                                           |                 |                                                                |                    |
|----------------------|---------------------------------------------------------------------------------------------------------------------------------------------------------------------------------------------------------------------|-------------------------------------------------------------------------------------------------------------------------------------------------------------------------------------------|-----------------|----------------------------------------------------------------|--------------------|
| PROJECT NAME         | <b>PROPRIETARY AND CONFIDENTIAL</b><br>THE INFORMATION CONTAINED IN THIS DRAWING IS THE SOLE PROPERTY OF MIRATECH. ANY REPRODUCTION IN PART OR AS A WHOLE WITHOUT THE WRITTEN PERMISSION OF MIRATECH IS PROHIBITED. | ALL DIMENSIONS IN INCHES (MILLIMETERS) UNLESS OTHERWISE SPECIFIED.                                                                                                                        |                 |                                                                |                    |
| PROPOSAL NUMBER      |                                                                                                                                                                                                                     | CRITICAL DIMENSIONS ARE <b>CIRCLED</b>                                                                                                                                                    |                 |                                                                |                    |
| SALES ORDER NO.      | PROJECTION<br>                                                                                                                                                                                                      | TOLERANCES UNLESS OTHERWISE SPECIFIED<br>< 12 [305] ±1/8 [3]<br>12 [305] ≥ 36 [915] ±3/16 [5]<br>36 [915] ≥ 360 [9150] ±5/16 [9]<br>> 360 [9150] ±7/16 [12]<br>ANGULAR ±3°<br>WEIGHT ±10% |                 | <b>M2EE0-10PF-2-00000000</b><br>SILENCER RESIDENTIAL GRADE M22 |                    |
| CUSTOMER P.O. [P.N.] |                                                                                                                                                                                                                     | SALES DRAWING<br>M2EE0-10PF-2-00000000 SD                                                                                                                                                 |                 | OEM NO                                                         | REV 0              |
|                      |                                                                                                                                                                                                                     | DRAWN SK                                                                                                                                                                                  | DATE 2023-12-05 | SCALE 1:16                                                     | WEIGHT 234lb/106kg |
|                      |                                                                                                                                                                                                                     | REVIEWED CSF                                                                                                                                                                              | DATE 2023-12-05 | DO NOT SCALE                                                   | SHEET NO. 1 OF 1   |