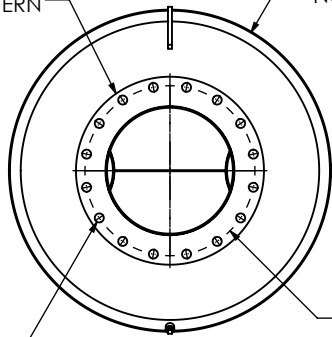


(2) 16" FF FLANGE
150 lb ANSI
STANDARD
BOLT PATTERN

[1016]
Ø 40"
NOM DIA

[29]
Ø 1 1/8"
TYP

[540]
Ø 21 1/4"
BCD



[13]
1/2"
TYP

(2) LIFTING LUG

[597]
Ø 23 1/2"
OD TYP

[406]
Ø 16"
OD TYP

1/2" NPT
DRAIN PORT

[2286]
90"

EXHAUST FLOW

NOTES:

- DO NOT USE EQUIPMENT TO SUPPORT OTHER PARTS OF THE EXHAUST SYSTEM WITHOUT PROPER REINFORCEMENT

MATERIAL CONSTRUCTION:

- CARBON STEEL

PAINT:

- HIGH TEMPERATURE BLACK (MIRATECH COATING SYSTEM 5)

PROJECT NAME	PROPRIETARY AND CONFIDENTIAL THE INFORMATION CONTAINED IN THIS DRAWING IS THE SOLE PROPERTY OF MIRATECH. ANY REPRODUCTION IN PART OR AS A WHOLE WITHOUT THE WRITTEN PERMISSION OF MIRATECH IS PROHIBITED.	ALL DIMENSIONS IN INCHES (MILLIMETERS) UNLESS OTHERWISE SPECIFIED. CRITICAL DIMENSIONS ARE CIRCLED			
PROPOSAL NUMBER		TOLERANCES UNLESS OTHERWISE SPECIFIED < 12 [305] ±1/8 [3] 12 [305] ≥ 36 [915] ±3/16 [5] 36 [915] ≥ 360 [9150] ±5/16 [9] > 360 [9150] ±7/16 [12]		M2EE0-16PF-2-00000000 SILENCER RESIDENTIAL GRADE M22	
SALES ORDER NO.		DRAWN MA DATE 2023-12-02 REVIEWED CSF DATE 2023-12-02		SALES DRAWING M2EE0-16PF-2-00000000 SD	
CUSTOMER P.O. [P.N.]		PROJECTION 		SIZE A DO NOT SCALE	SCALE 1:24 WEIGHT 752lb/341kg