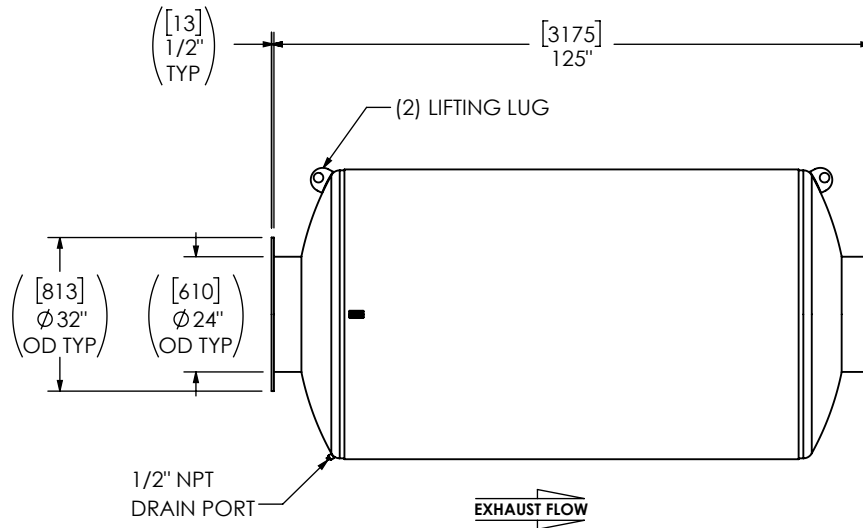
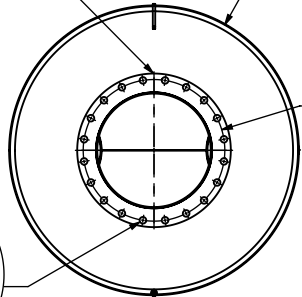


(2) 24" FF FLANGE  
150 lb ANSI  
STANDARD  
BOLT PATTERN

[1524]  
Ø 60"  
NOM DIA

[749]  
Ø 29 1/2"  
BCD

[35]  
Ø 1 3/8"  
TYP



**NOTES:**

- DO NOT USE EQUIPMENT TO SUPPORT OTHER PARTS OF THE EXHAUST SYSTEM WITHOUT PROPER REINFORCEMENT

**MATERIAL CONSTRUCTION:**

- CARBON STEEL

**PAINT:**

- HIGH TEMPERATURE BLACK (MIRATECH COATING SYSTEM 5)

PROJECT NAME	<p><b>PROPRIETARY AND CONFIDENTIAL</b></p> <p>THE INFORMATION CONTAINED IN THIS DRAWING IS THE SOLE PROPERTY OF MIRATECH. ANY REPRODUCTION IN PART OR AS A WHOLE WITHOUT THE WRITTEN PERMISSION OF MIRATECH IS PROHIBITED.</p>	ALL DIMENSIONS IN INCHES (MILLIMETERS) UNLESS OTHERWISE SPECIFIED.														
PROPOSAL NUMBER		CRITICAL DIMENSIONS ARE <u>CIRCLED</u>														
SALES ORDER NO.		<p>TOLERANCES UNLESS OTHERWISE SPECIFIED</p> <table border="1"> <tr> <td>&lt; 12 [305]</td> <td>±1/8 [3]</td> </tr> <tr> <td>12 [305] ≥ 36 [915]</td> <td>±3/16 [5]</td> </tr> <tr> <td>36 [915] ≥ 360 [9150]</td> <td>±5/16 [9]</td> </tr> <tr> <td>&gt; 360 [9150]</td> <td>±7/16 [12]</td> </tr> <tr> <td>ANGULAR</td> <td>±3°</td> </tr> <tr> <td>WEIGHT</td> <td>±10%</td> </tr> </table>	< 12 [305]	±1/8 [3]	12 [305] ≥ 36 [915]	±3/16 [5]	36 [915] ≥ 360 [9150]	±5/16 [9]	> 360 [9150]	±7/16 [12]	ANGULAR	±3°	WEIGHT	±10%	<p><b>M2EE0-24PF-2-00000000</b></p> <p>SILENCER RESIDENTIAL GRADE M22</p>	
< 12 [305]		±1/8 [3]														
12 [305] ≥ 36 [915]	±3/16 [5]															
36 [915] ≥ 360 [9150]	±5/16 [9]															
> 360 [9150]	±7/16 [12]															
ANGULAR	±3°															
WEIGHT	±10%															
CUSTOMER P.O. [P.N.]	<p>PROJECTION</p>	<table border="1"> <tr> <td>DRAWN</td> <td>SK</td> <td>DATE</td> <td>2023-12-05</td> </tr> <tr> <td>REVIEWED</td> <td>CSF</td> <td>DATE</td> <td>2023-12-05</td> </tr> </table>	DRAWN	SK	DATE	2023-12-05	REVIEWED	CSF	DATE	2023-12-05	<p>SALES DRAWING</p> <p>M2EE0-24PF-2-00000000 SD</p>	<table border="1"> <tr> <td>OEM NO</td> <td>REV</td> </tr> <tr> <td></td> <td>0</td> </tr> </table>	OEM NO	REV		0
DRAWN	SK	DATE	2023-12-05													
REVIEWED	CSF	DATE	2023-12-05													
OEM NO	REV															
	0															
		<table border="1"> <tr> <td>SIZE</td> <td>SCALE</td> <td>WEIGHT</td> </tr> <tr> <td>A</td> <td>DO NOT SCALE 1:40</td> <td>1974lb/897kg</td> </tr> </table>	SIZE	SCALE	WEIGHT	A	DO NOT SCALE 1:40	1974lb/897kg	<p>SHEET NO. 1 OF 1</p>							
SIZE	SCALE	WEIGHT														
A	DO NOT SCALE 1:40	1974lb/897kg														