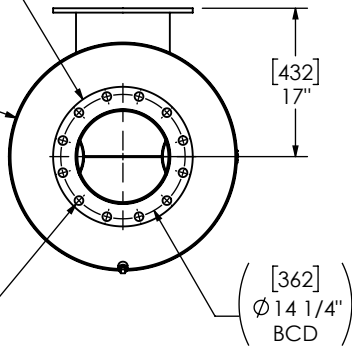


(2) 10" FF FLANGE
150 lb ANSI
STANDARD
BOLT PATTERN

[660]
Ø 26"
NOM DIA

[25]
Ø 1"
TYP



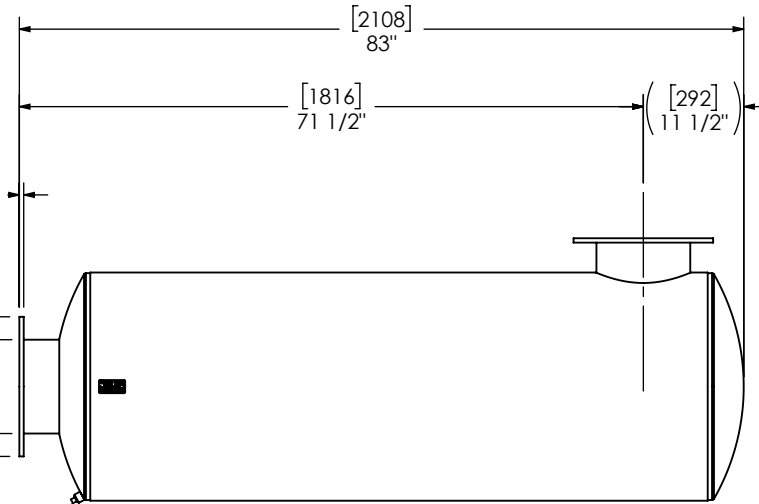
[273]
Ø 10 3/4"
OD TYP

[13]
1/2"
TYP

[406]
Ø 16"
OD TYP

1/2" NPT
DRAIN PORT

EXHAUST FLOW



NOTES:

- DO NOT USE EQUIPMENT TO SUPPORT OTHER PARTS OF THE EXHAUST SYSTEM WITHOUT PROPER REINFORCEMENT

MATERIAL CONSTRUCTION:

- CARBON STEEL

PAINT:

- HIGH TEMPERATURE BLACK (MIRATECH COATING SYSTEM 5)

PROJECT NAME	PROPRIETARY AND CONFIDENTIAL THE INFORMATION CONTAINED IN THIS DRAWING IS THE SOLE PROPERTY OF MIRATECH. ANY REPRODUCTION IN PART OR AS A WHOLE WITHOUT THE WRITTEN PERMISSION OF MIRATECH IS PROHIBITED.	ALL DIMENSIONS IN INCHES (MILLIMETERS) UNLESS OTHERWISE SPECIFIED. CRITICAL DIMENSIONS ARE CIRCLED				
PROPOSAL NUMBER		TOLERANCES UNLESS OTHERWISE SPECIFIED < 12 [305] ±1/8 [3] 12 [305] ≥ 36 [915] ±3/16 [5] 36 [915] ≥ 360 [9150] ±5/16 [9] > 360 [9150] ±7/16 [12] ANGULAR ±3° WEIGHT ±10%				M3EA0-10PF-2-00002R4K SILENCER CRITICAL GRADE M32
SALES ORDER NO.		PROJECTION		DRAWN SVP DATE 2024-01-19 REVIEWED CSF DATE 2024-01-19	SALES DRAWING M3EA0-10PF-2-00002R4K SD	OEM NO REV 0
CUSTOMER P.O. [P.N.]		SIZE A DO NOT SCALE	SCALE 1:22 WEIGHT 297lb/135kg	SHEET NO. 1 OF 1		