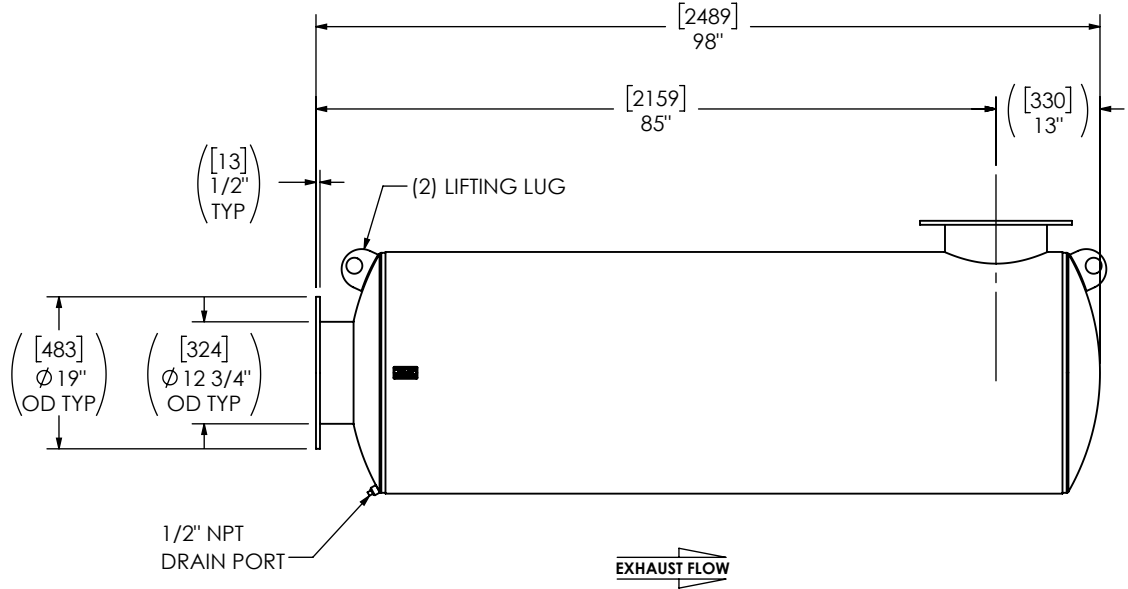
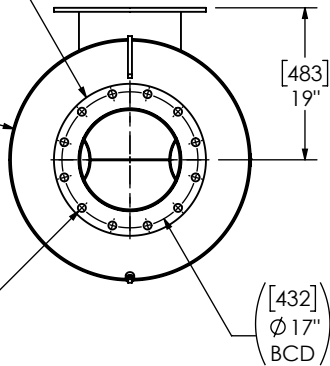


(2) 12" FF FLANGE  
150 lb ANSI  
STANDARD  
BOLT PATTERN

[762]  
Ø 30"  
NOM DIA



**NOTES:**

- DO NOT USE EQUIPMENT TO SUPPORT OTHER PARTS OF THE EXHAUST SYSTEM WITHOUT PROPER REINFORCEMENT

**MATERIAL CONSTRUCTION:**

- CARBON STEEL

**PAINT:**

- HIGH TEMPERATURE BLACK (MIRATECH COATING SYSTEM 5)

PROJECT NAME	<b>PROPRIETARY AND CONFIDENTIAL</b> THE INFORMATION CONTAINED IN THIS DRAWING IS THE SOLE PROPERTY OF MIRATECH. ANY REPRODUCTION IN PART OR AS A WHOLE WITHOUT THE WRITTEN PERMISSION OF MIRATECH IS PROHIBITED.	ALL DIMENSIONS IN INCHES (MILLIMETERS) UNLESS OTHERWISE SPECIFIED. CRITICAL DIMENSIONS ARE <b>CIRCLED</b>				
PROPOSAL NUMBER		TOLERANCES UNLESS OTHERWISE SPECIFIED < 12 [305] ±1/8 [3] 12 [305] ≥ 36 [915] ±3/16 [5] 36 [915] ≥ 360 [9150] ±5/16 [9] > 360 [9150] ±7/16 [12]		<b>M3EA0-12PF-2-000033NF</b> SILENCER CRITICAL GRADE M32		
SALES ORDER NO.		DRAWN SVP DATE 2024-01-18 REVIEWED CSF DATE 2024-01-18		SALES DRAWING M3EA0-12PF-2-000033NF SD		OEM NO REV 0
CUSTOMER P.O. [P.N.]		PROJECTION 		SIZE A	SCALE 1:24 WEIGHT 473lb/215kg	SHEET NO. 1 OF 1