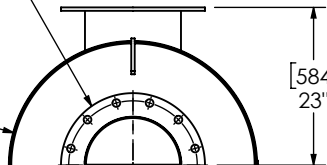


(2) 14" FF FLANGE
150 lb ANSI
STANDARD
BOLT PATTERN

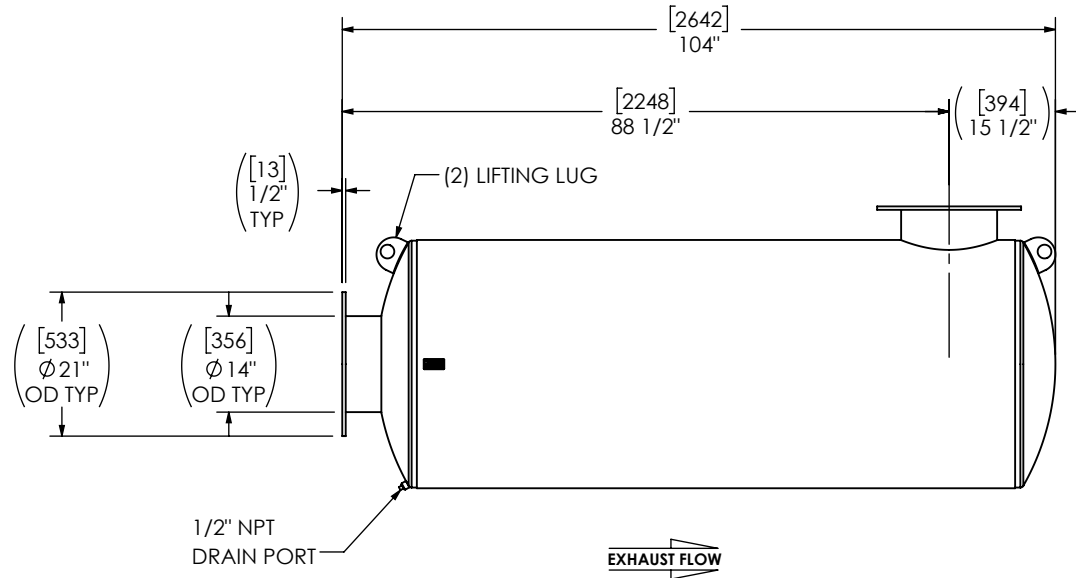
[914]
Ø 36"
NOM DIA



[584]
23"

[29]
Ø 1 1/8"
TYP

[476]
Ø 18 3/4"
BCD



NOTES:

- DO NOT USE EQUIPMENT TO SUPPORT OTHER PARTS OF THE EXHAUST SYSTEM WITHOUT PROPER REINFORCEMENT

MATERIAL CONSTRUCTION:

- CARBON STEEL

PAINT:

- HIGH TEMPERATURE BLACK (MIRATECH COATING SYSTEM 5)

PROJECT NAME	PROPRIETARY AND CONFIDENTIAL THE INFORMATION CONTAINED IN THIS DRAWING IS THE SOLE PROPERTY OF MIRATECH. ANY REPRODUCTION IN PART OR AS A WHOLE WITHOUT THE WRITTEN PERMISSION OF MIRATECH IS PROHIBITED.	ALL DIMENSIONS IN INCHES (MILLIMETERS) UNLESS OTHERWISE SPECIFIED. CRITICAL DIMENSIONS ARE CIRCLED				
PROPOSAL NUMBER		TOLERANCES UNLESS OTHERWISE SPECIFIED < 12 [305] ±1/8 [3] 12 [305] ≥ 36 [915] ±3/16 [5] 36 [915] ≥ 360 [9150] ±5/16 [9] > 360 [9150] ±7/16 [12] ANGULAR ±3° WEIGHT ±10%				
SALES ORDER NO.		PROJECTION	DRAWN SVP DATE 2024-01-18 REVIEWED CSF DATE 2024-01-18	SIZE A SCALE DO NOT SCALE WEIGHT 634lb/288kg	M3EA0-14PF-2-00003PJV SILENCER CRITICAL GRADE M32	OEM NO REV 0
CUSTOMER P.O. [P.N.]			SALES DRAWING M3EA0-14PF-2-00003PJV SD	SHEET NO. 1 OF 1		