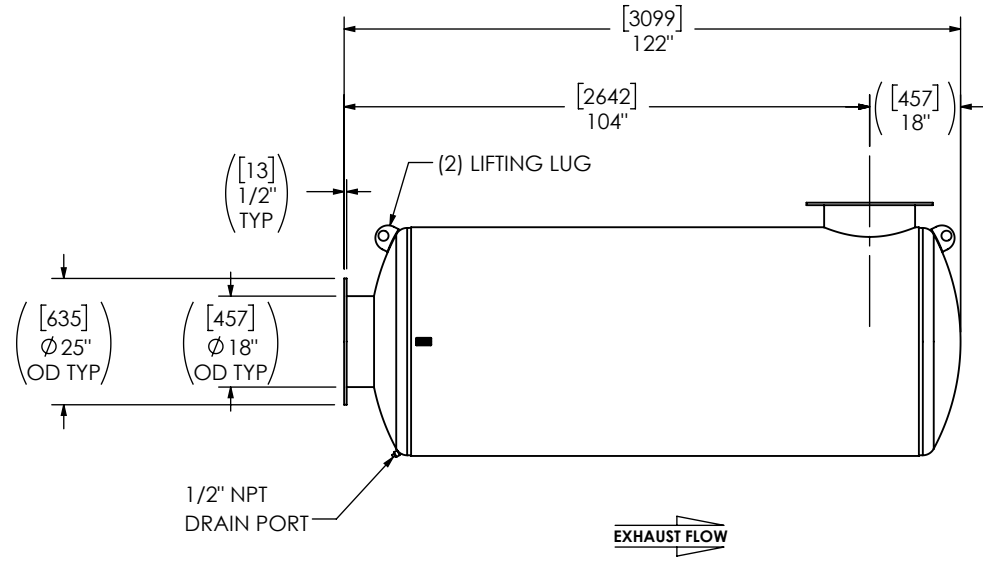
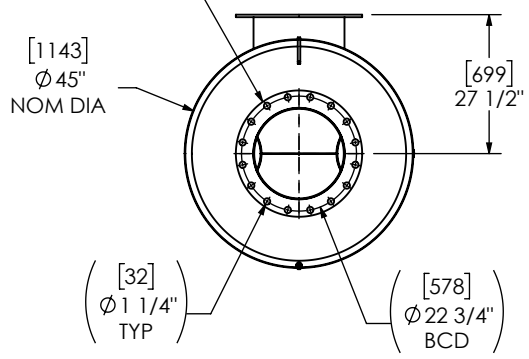


(2) 18" FF FLANGE  
150 lb ANSI  
STANDARD  
BOLT PATTERN



**NOTES:**

- DO NOT USE EQUIPMENT TO SUPPORT OTHER PARTS OF THE EXHAUST SYSTEM WITHOUT PROPER REINFORCEMENT

**MATERIAL CONSTRUCTION:**

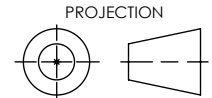
- CARBON STEEL

**PAINT:**

- HIGH TEMPERATURE BLACK (MIRATECH COATING SYSTEM 5)

PROJECT NAME	
PROPOSAL NUMBER	
SALES ORDER NO.	
CUSTOMER P.O. [P.N.]	

**PROPRIETARY AND CONFIDENTIAL**  
THE INFORMATION CONTAINED IN THIS DRAWING IS THE SOLE PROPERTY OF MIRATECH. ANY REPRODUCTION IN PART OR AS A WHOLE WITHOUT THE WRITTEN PERMISSION OF MIRATECH IS PROHIBITED.



ALL DIMENSIONS IN INCHES (MILLIMETERS) UNLESS OTHERWISE SPECIFIED.	
CRITICAL DIMENSIONS ARE <b>CIRCLED</b>	
TOLERANCES UNLESS OTHERWISE SPECIFIED	
< 12 [305]	±1/8 [3]
12 [305] ≥ 36 [915]	±3/16 [5]
36 [915] ≥ 360 [9150]	±5/16 [9]
> 360 [9150]	±7/16 [12]
ANGULAR	±3°
WEIGHT	±10%
DRAWN	DATE
SVP	2024-01-19
REVIEWED	DATE
CSF	2024-01-19



<b>M3EA0-18PF-2-00004AGA</b>		SILENCER CRITICAL GRADE M32	
SALES DRAWING		OEM	REV
M3EA0-18PF-2-00004AGA SD		NO	0
SIZE	SCALE	WEIGHT	SHEET NO.
A	DO NOT SCALE	1090lb/495kg	1 OF 1