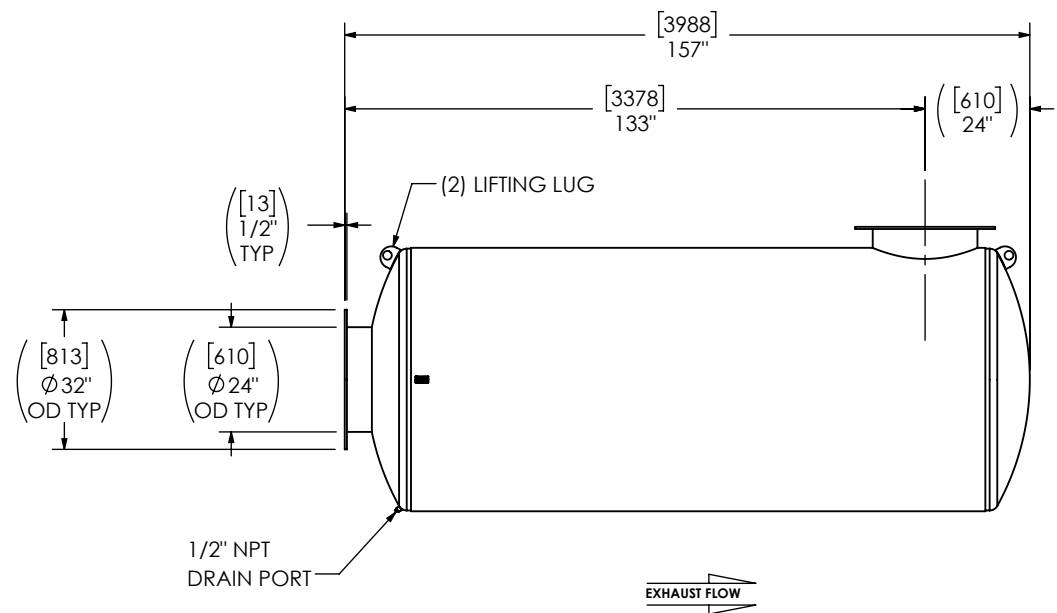
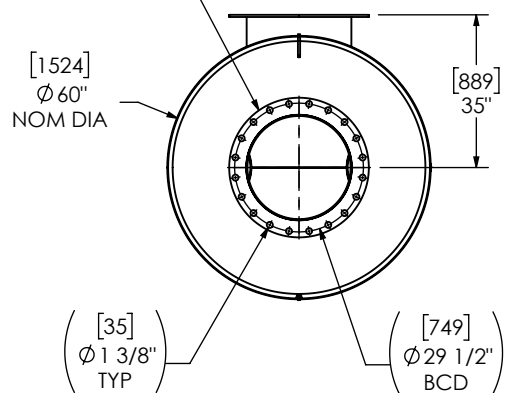


(2) 24" FF FLANGE
150 lb ANSI
STANDARD
BOLT PATTERN



NOTES:

- DO NOT USE EQUIPMENT TO SUPPORT OTHER PARTS OF THE EXHAUST SYSTEM WITHOUT PROPER REINFORCEMENT

MATERIAL CONSTRUCTION:

- CARBON STEEL

PAINT:

- HIGH TEMPERATURE BLACK (MIRATECH COATING SYSTEM 5)

PROJECT NAME	PROPRIETARY AND CONFIDENTIAL THE INFORMATION CONTAINED IN THIS DRAWING IS THE SOLE PROPERTY OF MIRATECH. ANY REPRODUCTION IN PART OR AS A WHOLE WITHOUT THE WRITTEN PERMISSION OF MIRATECH IS PROHIBITED.	ALL DIMENSIONS IN INCHES (MILLIMETERS) UNLESS OTHERWISE SPECIFIED.				
PROPOSAL NUMBER		CRITICAL DIMENSIONS ARE CIRCLED				
SALES ORDER NO.		TOLERANCES UNLESS OTHERWISE SPECIFIED: < 12 [305] ±1/8 [3] 12 [305] ≥ 36 [915] ±3/16 [5] 36 [915] ≥ 360 [9150] ±5/16 [9] > 360 [9150] ±7/16 [12] ANGULAR ±3° WEIGHT ±10%	M3EA0-24PF-2-00005QLQ SILENCER CRITICAL GRADE M32			
CUSTOMER P.O. [P.N.]		PROJECTION	DRAWN SVP DATE 2024-01-19 REVIEWED CSF DATE 2024-01-19	SALES DRAWING M3EA0-24PF-2-00005QLQ SD	OEM NO 0 REV	
			SIZE A	SCALE DO NOT SCALE	WEIGHT 2410lb/1095kg	SHEET NO. 1 OF 1