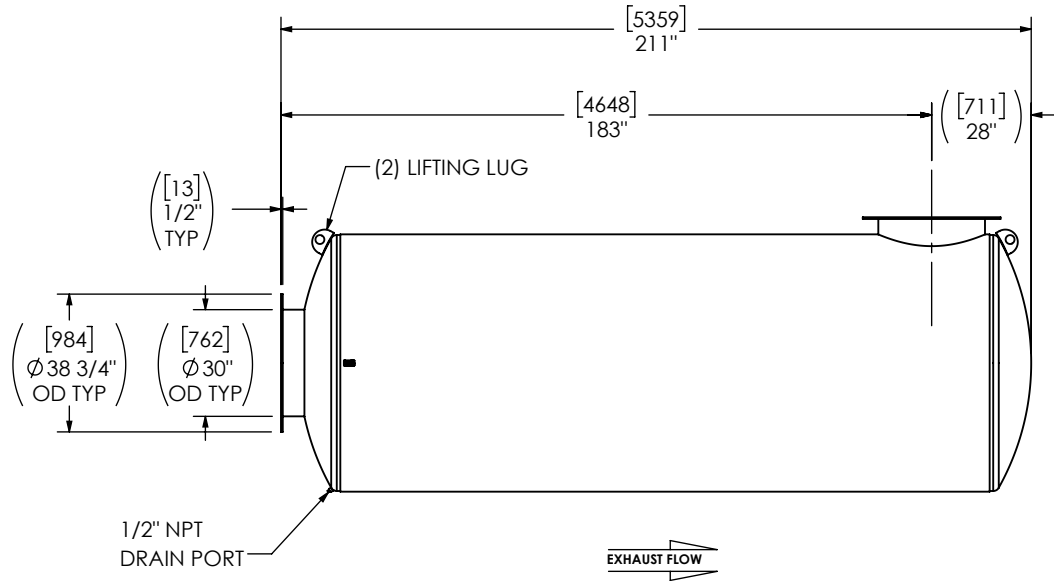
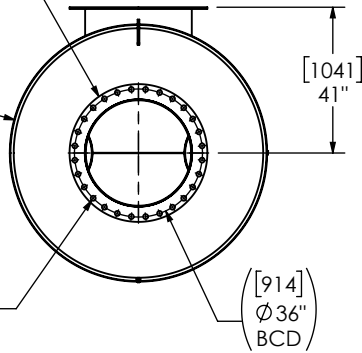


(2) 30" FF FLANGE
150 lb ANSI
STANDARD
BOLT PATTERN

[1829]
Ø 72"
NOM DIA



NOTES:

- DO NOT USE EQUIPMENT TO SUPPORT OTHER PARTS OF THE EXHAUST SYSTEM WITHOUT PROPER REINFORCEMENT

MATERIAL CONSTRUCTION:

- CARBON STEEL

PAINT:

- HIGH TEMPERATURE BLACK (MIRATECH COATING SYSTEM 5)

PROJECT NAME	PROPRIETARY AND CONFIDENTIAL THE INFORMATION CONTAINED IN THIS DRAWING IS THE SOLE PROPERTY OF MIRATECH. ANY REPRODUCTION IN PART OR AS A WHOLE WITHOUT THE WRITTEN PERMISSION OF MIRATECH IS PROHIBITED.	ALL DIMENSIONS IN INCHES (MILLIMETERS) UNLESS OTHERWISE SPECIFIED. CRITICAL DIMENSIONS ARE CIRCLED				
PROPOSAL NUMBER		TOLERANCES UNLESS OTHERWISE SPECIFIED < 12 [305] ±1/8 [3] 12 [305] ≥ 36 [915] ±3/16 [5] 36 [915] ≥ 360 [9150] ±5/16 [9] > 360 [9150] ±7/16 [12]		M3EA0-30PF-2-00006P20 SILENCER CRITICAL GRADE M32		
SALES ORDER NO.		DRAWN SVP DATE 2024-01-18 REVIEWED CSF DATE 2024-01-18		SALES DRAWING M3EA0-30PF-2-00006P20 SD		OEM NO REV 0
CUSTOMER P.O. [P.N.]		PROJECTION 		SIZE A	SCALE DO NOT SCALE 1:54	WEIGHT 3695lb/1679kg SHEET NO. 1 OF 1