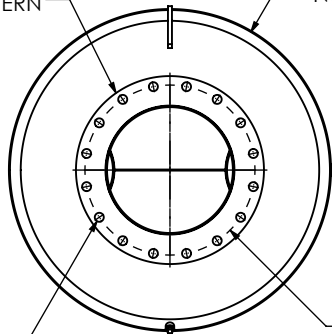


(2) 16" FF FLANGE
150 lb ANSI
STANDARD
BOLT PATTERN

[1016]
Ø 40"
NOM DIA

([29])
Ø 1 1/8"
TYP



([540])
Ø 21 1/4"
BCD

([597])
Ø 23 1/2"
OD TYP

([406])
Ø 16"
OD TYP

([13])
1/2"
TYP

(2) LIFTING LUG

[3023]
119"

1/2" NPT
DRAIN PORT

EXHAUST FLOW

NOTES:

- DO NOT USE EQUIPMENT TO SUPPORT OTHER PARTS OF THE EXHAUST SYSTEM WITHOUT PROPER REINFORCEMENT

MATERIAL CONSTRUCTION:

- CARBON STEEL

PAINT:

- HIGH TEMPERATURE BLACK (MIRATECH COATING SYSTEM 5)

PROJECT NAME	PROPRIETARY AND CONFIDENTIAL THE INFORMATION CONTAINED IN THIS DRAWING IS THE SOLE PROPERTY OF MIRATECH. ANY REPRODUCTION IN PART OR AS A WHOLE WITHOUT THE WRITTEN PERMISSION OF MIRATECH IS PROHIBITED.	ALL DIMENSIONS IN INCHES (MILLIMETERS) UNLESS OTHERWISE SPECIFIED.												
PROPOSAL NUMBER		CRITICAL DIMENSIONS ARE CIRCLED												
SALES ORDER NO.		TOLERANCES UNLESS OTHERWISE SPECIFIED		M3EE0-16PF-2-00000000 SILENCER CRITICAL GRADE M32										
CUSTOMER P.O. [P.N.]		<table border="1"> <tr> <td>< 12 [305]</td> <td>±1/8 [3]</td> </tr> <tr> <td>12 [305] ≥ 36 [915]</td> <td>±3/16 [5]</td> </tr> <tr> <td>36 [915] ≥ 360 [9150]</td> <td>±5/16 [9]</td> </tr> <tr> <td>> 360 [9150]</td> <td>±7/16 [12]</td> </tr> <tr> <td>ANGULAR</td> <td>±3°</td> </tr> <tr> <td>WEIGHT</td> <td>±10%</td> </tr> </table>				< 12 [305]	±1/8 [3]	12 [305] ≥ 36 [915]	±3/16 [5]	36 [915] ≥ 360 [9150]	±5/16 [9]	> 360 [9150]	±7/16 [12]	ANGULAR
< 12 [305]	±1/8 [3]													
12 [305] ≥ 36 [915]	±3/16 [5]													
36 [915] ≥ 360 [9150]	±5/16 [9]													
> 360 [9150]	±7/16 [12]													
ANGULAR	±3°													
WEIGHT	±10%													
PROJECTION		DRAWN	DATE	SCALE	WEIGHT									
		MA	2023-12-05	DO NOT SCALE	9311lb/423kg									
		REVIEWED	DATE	SIZE	SHEET NO.									
		CSF	2023-12-05	A	1 OF 1									
				OEM NO	REV									
					0									