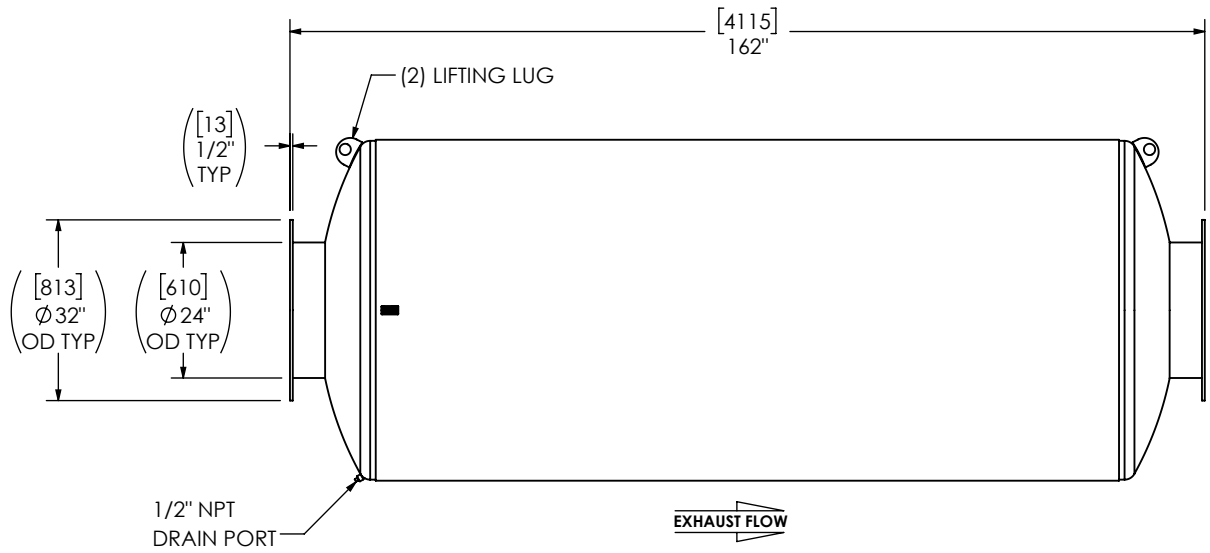
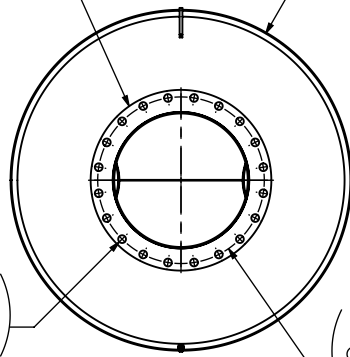


(2) 24" FF FLANGE
150 lb ANSI
STANDARD
BOLT PATTERN

[1524]
Ø 60"
NOM DIA

[35]
Ø 1 3/8"
TYP

[749]
Ø 29 1/2"
BCD



NOTES:

- DO NOT USE EQUIPMENT TO SUPPORT OTHER PARTS OF THE EXHAUST SYSTEM WITHOUT PROPER REINFORCEMENT

MATERIAL CONSTRUCTION:

- CARBON STEEL

PAINT:

- HIGH TEMPERATURE BLACK (MIRATECH COATING SYSTEM 5)

PROJECT NAME	PROPRIETARY AND CONFIDENTIAL THE INFORMATION CONTAINED IN THIS DRAWING IS THE SOLE PROPERTY OF MIRATECH. ANY REPRODUCTION IN PART OR AS A WHOLE WITHOUT THE WRITTEN PERMISSION OF MIRATECH IS PROHIBITED.	ALL DIMENSIONS IN INCHES (MILLIMETERS) UNLESS OTHERWISE SPECIFIED. CRITICAL DIMENSIONS ARE CIRCLED			
PROPOSAL NUMBER		TOLERANCES UNLESS OTHERWISE SPECIFIED < 12 [305] ±1/8 [3] 12 [305] ≥ 36 [915] ±3/16 [5] 36 [915] ≥ 360 [9150] ±5/16 [9] > 360 [9150] ±7/16 [12]			
SALES ORDER NO.		ANGLULAR WEIGHT ±3° ±10%		M3EE0-24PF-2-00000000 SILENCER CRITICAL GRADE M32	
CUSTOMER P.O. [P.N.]		PROJECTION 		SALES DRAWING M3EE0-24PF-2-00000000 SD	
		DRAWN MA REVIEWED CSF	DATE 2023-12-05 DATE 2023-12-05	SIZE A DO NOT SCALE	SCALE 1:34 WEIGHT 2402lb/1091kg
				OEM NO 0 SHEET NO. 1 OF 1	