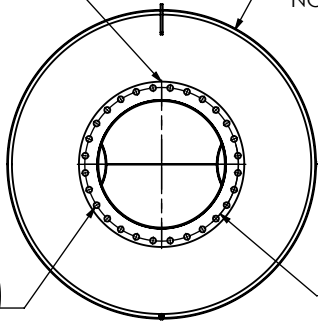


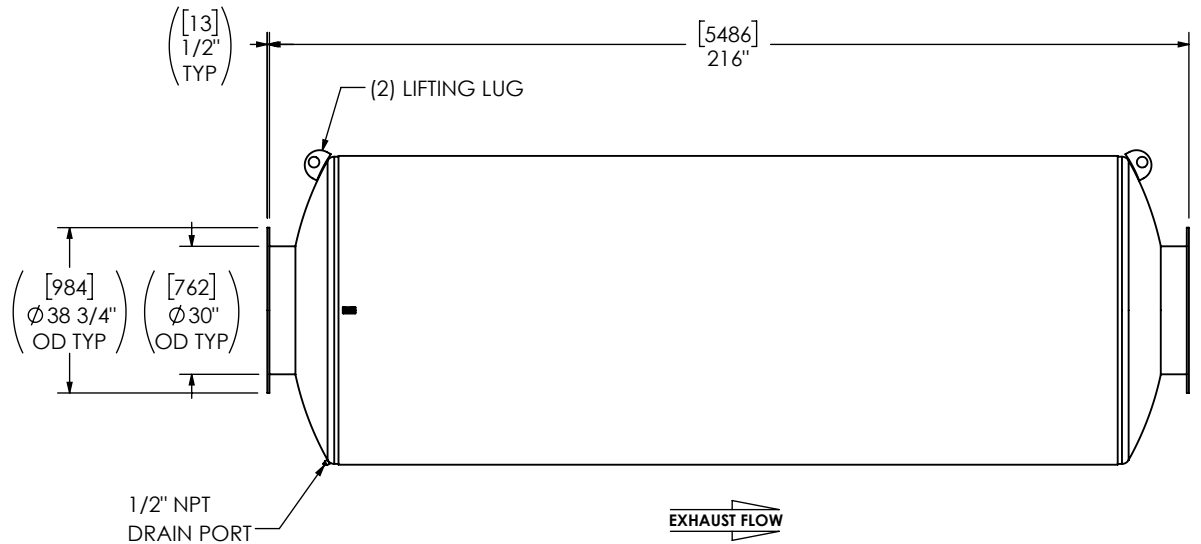
(2) 30" FF FLANGE  
150 lb ANSI  
STANDARD  
BOLT PATTERN

[1829]  
Ø 72"  
NOM DIA

[35]  
Ø 1 3/8"  
TYP



[914]  
Ø 36"  
BCD



**NOTES:**

- DO NOT USE EQUIPMENT TO SUPPORT OTHER PARTS OF THE EXHAUST SYSTEM WITHOUT PROPER REINFORCEMENT

**MATERIAL CONSTRUCTION:**

- CARBON STEEL

**PAINT:**

- HIGH TEMPERATURE BLACK (MIRATECH COATING SYSTEM 5)

PROJECT NAME	<b>PROPRIETARY AND CONFIDENTIAL</b> THE INFORMATION CONTAINED IN THIS DRAWING IS THE SOLE PROPERTY OF MIRATECH. ANY REPRODUCTION IN PART OR AS A WHOLE WITHOUT THE WRITTEN PERMISSION OF MIRATECH IS PROHIBITED.	ALL DIMENSIONS IN INCHES (MILLIMETERS) UNLESS OTHERWISE SPECIFIED. CRITICAL DIMENSIONS ARE <b>CIRCLED</b>			
PROPOSAL NUMBER		TOLERANCES UNLESS OTHERWISE SPECIFIED < 12 [305] ±1/8 [3] 12 [305] ≥ 36 [915] ±3/16 [5] 36 [915] ≥ 360 [9150] ±5/16 [9] > 360 [9150] ±7/16 [12] ANGULAR ±3° WEIGHT ±10%			
SALES ORDER NO.		PROJECTION 		<b>M3EE0-30PF-2-00000000</b> SILENCER CRITICAL GRADE M32	
CUSTOMER P.O. [P.N.]		SALES DRAWING M3EE0-30PF-2-00000000 SD		OEM NO	REV 0
		DRAWN SK DATE 2023-12-04 REVIEWED CSF DATE 2023-12-04	SIZE A DO NOT SCALE	SCALE 1:45 WEIGHT 3684lb/1674kg	SHEET NO. 1 OF 1